

Valves series A1

1/4", 5/2 - 5/3, electrically operated



Standard executions

Version	Symbol	Code	Item
5/2 solenoid/spring		034111	A1E250
5/2 solenoid/solenoid		034121	A1E251
5/3 with closed centres		034131	A1E270
5/3 with open centres		034133	A1E271
5/3 with pressurised centres		034132	A1E272
5/2 solenoid/spring, external air pilot		034035	A1K250
5/2 solenoid/solenoid external air pilot		034034	A1K251
5/3 with closed centres, external air pilot		034037	A1K270
5/3 with open centres, external air pilot		034038	A1K271
5/3 with pressurised centres external air pilot		034036	A1K272



Series of spool valves, with static seals, high flow, for panel or sub-base mounting.

Coils and connectors have to be ordered separately.

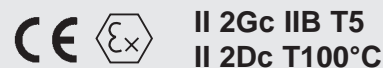
For the coils type ASA12... see page 2.200.1

For the connectors type A122... see page 2.210.20

For the sub-bases type A1B2... see page 2.85.1

Code key

Series	Actuation	Size	Function
A1	E = electrical K = electrical with external air pilot	2 = 1/4"	50 = 5/2 solenoid/spring 51 = 5/2 solenoid/solenoid 70 = 5/3 CC 71 = 5/3 OC 72 = 5/3 PC

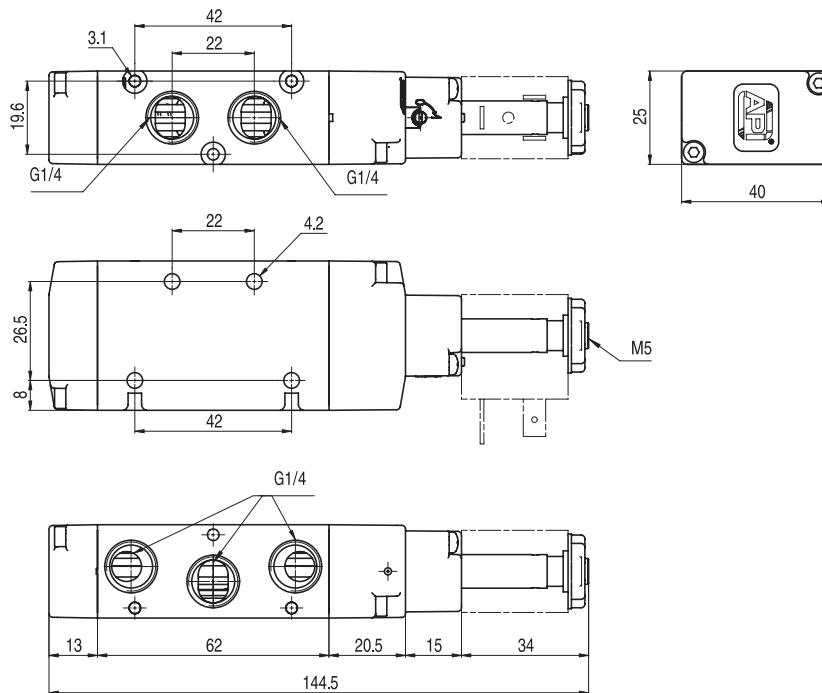


On request, they can be supplied according to 2014/34/EU - ATEX

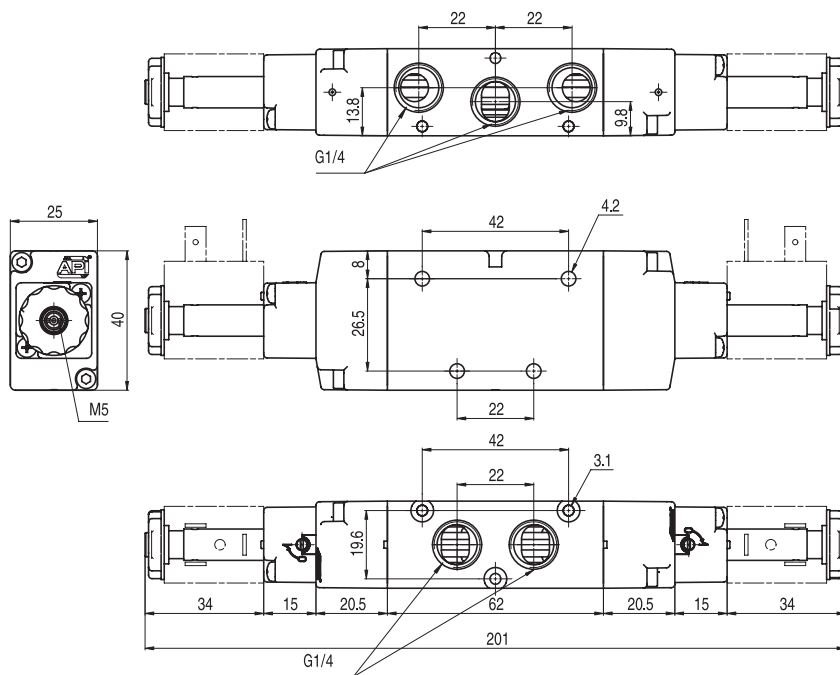
Technical data

Fluid	Compressed filtered air with or without lubrication. Lubrication, if started, must be continued.		
Pressure range	Spring return: 1,5 ÷ 10 bar	Bistable: 1 ÷ 10 bar	3 position: 2,5 ÷ 10 bar
Temperature range	-10°C ÷ +60°C		
Orifice	8 mm		
Flow	1.100 NI/min at 6 bar with ΔP 1 bar		
Minimum external air pressure	1,5 bar		
Mounting	In any position		
Manual override	Bistable		
Response time (at 6 bar)	solenoid/spring		solenoid/solenoid
	Energising: 45 ms	De-energising: 19 ms	Energising: 21 ms De-energising: 21 ms
Materials	Body:	Anodised aluminium	
	Covers:	Delrin 500	
	Spool:	Hard aluminium anodized	
	Distancers:	Fortron 1140 L4	
	Seals:	Hydrogenated Nitrile Butadiene Rubber (HNBR)	

Valves series A1
1/4", 5/2 - 5/3, electrically operated



Version	Symbol	Code	Item
5/2 solenoid/spring		034111	A1E250



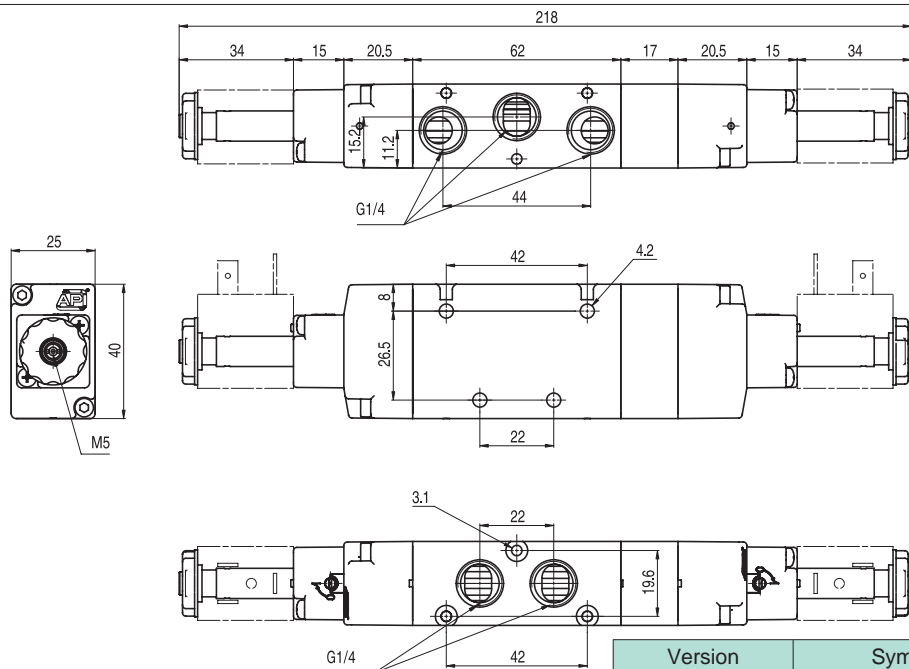
Version	Symbol	Code	Item
5/2 solenoid/solenoid		034121	A1E251

Valves series A1

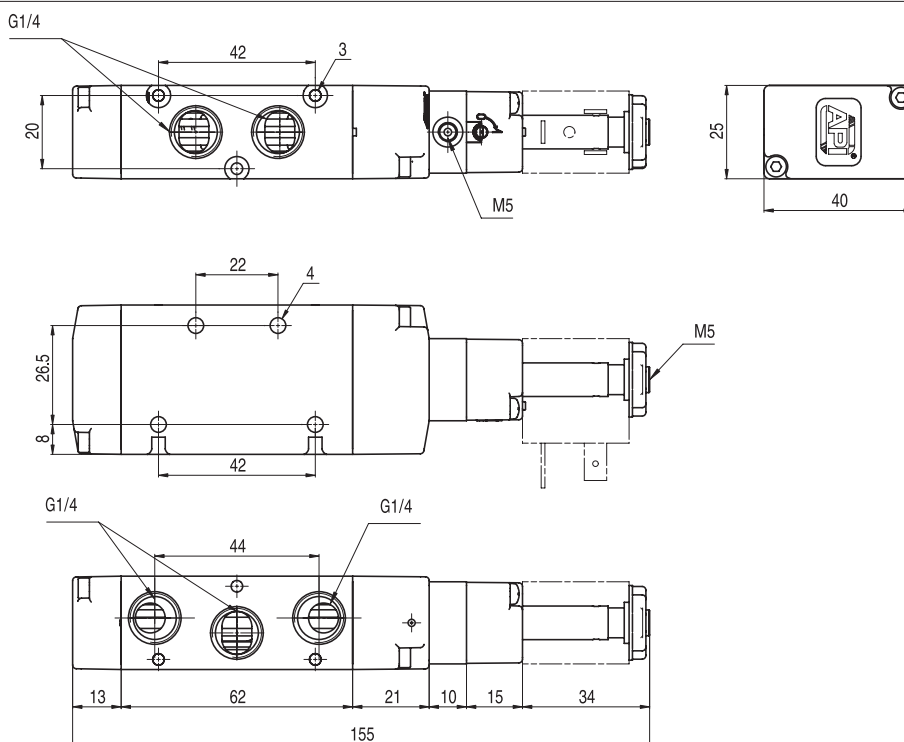
1/4", 5/2 - 5/3, electrically operated



2

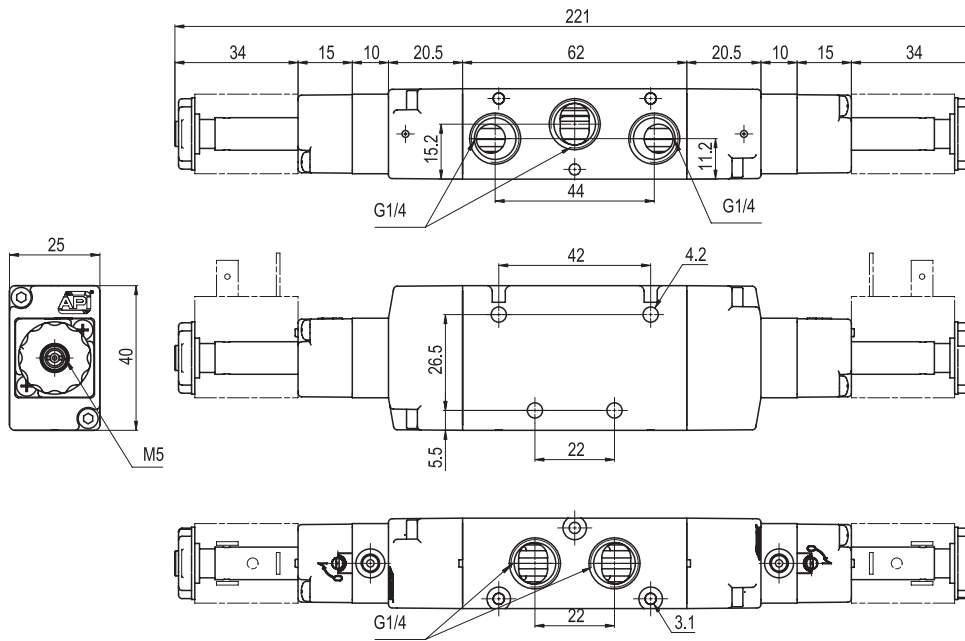


Version	Symbol	Code	Item
5/3 with closed centres		034131	A1E270
5/3 with open centres		034133	A1E271
5/3 with pressurised centres		034132	A1E272

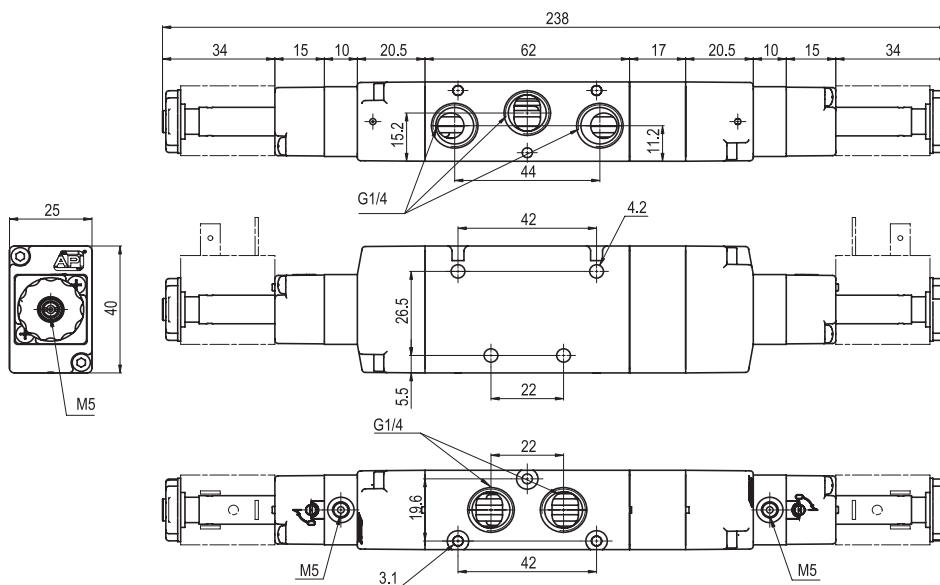


Version	Symbol	Code	Item
5/2 solenoid/spring, external air pilot		034035	A1K250

Valves series A1
1/4", 5/2 - 5/3, electrically operated



Version	Symbol	Code	Item
5/2 solenoid/solenoid external air pilot		034034	A1K251



Version	Symbol	Code	Item
5/3 with closed centres, external air pilot		034037	A1K270
5/3 with open centres, external air pilot		034038	A1K271
5/3 with pressurised centres external air pilot		034036	A1K272