



**API Srl** (Advanced Pneumatic Industries)

API Srl is an Italian company that is internationally recognised as a leading manufacturer of high performance pneumatic products.



### Design



Improvements on existing products  
R & D of new products  
Study & Development of special product and bespoke solutions

### Manufacturing



The "heart" of API components are made inside  
Flexibility  
Speed and service

### Quality



Certified quality ISO 9001 since 1995  
100% testing on all API products

On request some of our products  
can be certified ATEX

**CERTIFIED MANAGEMENT  
SYSTEM BY ICIM**  
UNI EN ISO 9001:2008

### Logistics

Organization  
Careful management of stocks  
70% of the sold is ready ex-stock

Precision and speed of the service  
Logistic can count on a good computerization



We trust our overview leads to receiving your enquiries and then providing cost effective quality products.

# PRODUCTSONAIR

api-pneumatic.com

Stainless steel valves series  
AISI 316L



**AIR  
POWER  
CONTROL**

**A.P.I. s.r.l.**  
Via Cornaggia, 107 - 22076 Mozzate (CO) Italy - Tel. +39.0331.823511 - Fax +39.0331.823480  
info@api-pneumatic.com - [api-pneumatic.com](http://api-pneumatic.com)



**AIR  
POWER  
CONTROL**

# Stainless steel valves series

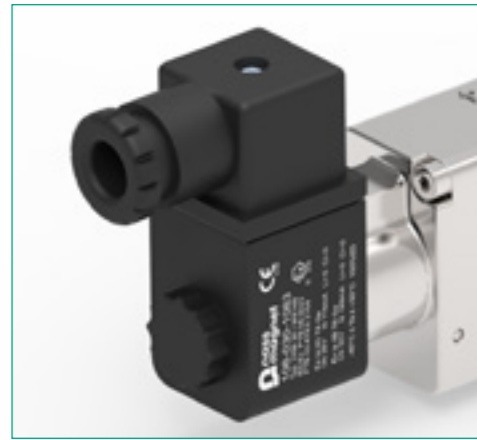
## Electrically and pneumatic operated in AISI 316L

The range of API products expands with the "new" series of "AX" valves with functions 3/2, 5/2, 5/3, connections on line on the body and NAMUR interface, electric, electric servo pilot and pneumatic pilot.

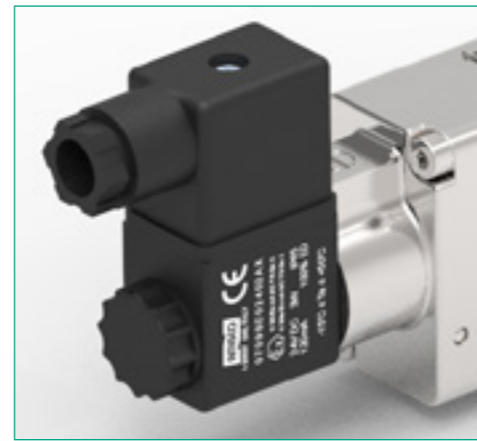
They are manufactured in AISI 316L stainless steel, especially suitable in the food, chemical, pharmaceutical, Oil & gas and mining field.

AX valves are manufactured according to 94/9/EC ATEX norm, to be used in environment potentially explosive thanks to different versions of the pilot, electric and pneumatic; with these features we can cover different zone and fields.

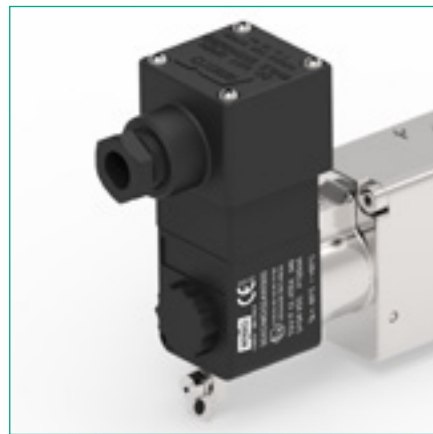
The ports are 1/4 G and 1/4 NPT.



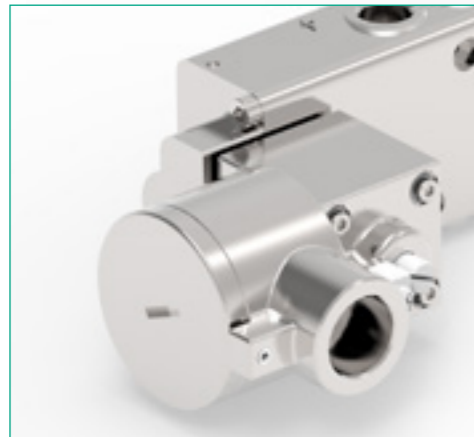
**XA:** II 2G EEx ia IIC T6  
Intrinsic safety



**XX:** II 3G Ex nA IIC T5 Gc X  
II 3D Ex tc IIIC T5 Dc X



**XB:** II 2G Ex db mb IIC Tx Gb X  
II 2D Ex tb IIIC Tx°C IP66 DbX



**XC:** II 2G Ex d IIC T6 Gb



Body 5/2

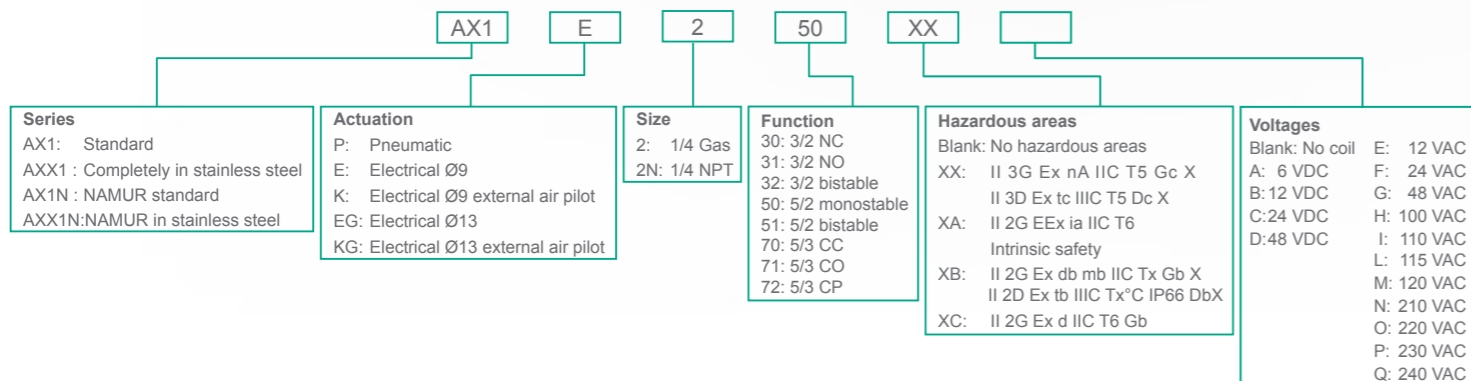


Body 3/2



Body Namur

### How to order



### Technical data

<b>Fluid:</b>	Compressed air
<b>Port size:</b>	1/4 Gas - 1/4 NPT
<b>Electrically operated</b>	Monostable 1,5 + 10 bar (1,5 + 12 bar EG/KG actuating) Bistable 1 + 10 bar (1 + 12 bar EG/KG actuating) 3 position 2,5 + 10 bar (2,5 + 12 bar EG/KG actuating)
<b>Pneumatically operated:</b>	Monostable 1,5 + 12 bar Bistable 1 + 12 bar 3 position 2,5 + 12 bar
<b>Temperature range:</b>	-25 + 70°C (-20 + +60°C only for XC)
<b>Orifice:</b>	Ø 8
<b>Flow rate:</b>	1.100 NI/min a 6 bar at ΔP 1 bar
<b>Mounting:</b>	In any position
<b>Manual override:</b>	Bistable

### Materials of construction

<b>Body:</b>	Stainless steel AISI 316
<b>Cover:</b>	Stainless steel AISI 316
<b>Spool:</b>	Hard aluminium anodized (AX series) Stainless steel AISI 316(AXX series)
<b>Distancers:</b>	Fortron 1140L4 (AX series) Stainless steel AISI 316 (AXX series)
<b>Seals:</b>	Hydrogenate Nitrile Butadine Rubber (HNBR)