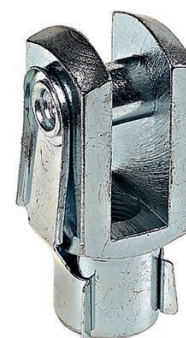


Standard executions		
Version	Symbol	Type
Female clevis with clip		FF..DIN
Female clevis with pin and seeger		FFP..DIN
Female clevis body only		FFN..DIN



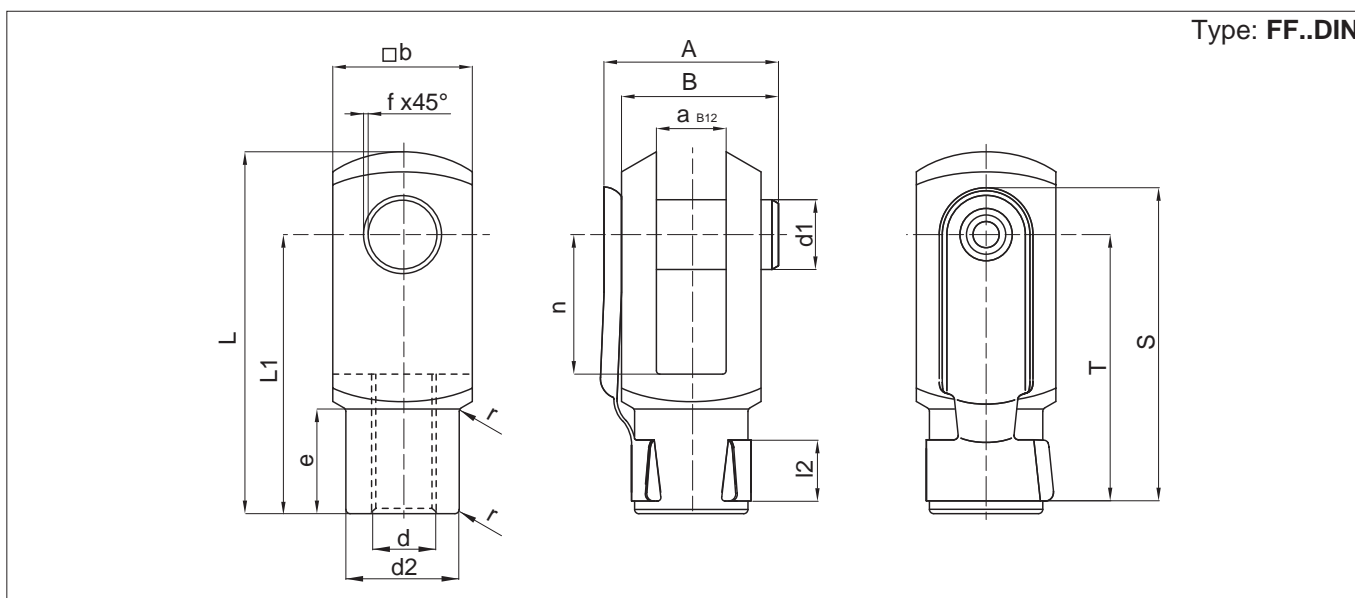
Clevis conforming to UNI 1676 - DIN 71752 standards.

The FF..DIN version is provided complete with clips, the FFP..DIN version is provided with a pin and 2 seegers, while for the FFN..DIN version is provided only the clevis body.

The clevis is mounted on the cylinder rod and allows a swinging movement.

Options	Suffix
Special versions on request	/ S

Technical data	
Material	White zinc plated steel



Code	Item	d	a	A	B	b	d ₁	S	T	L ₂	d ₂	e	f	L	L ₁	n	r	Weight (g)
041001	FF04ISO/DIN	M4x0,7	4	11	9	8	4	19	15	5	8	6	0,5	21	16	8	0,5	7
041022	FF05DIN	M5x0,8	5	13,5	12	10	5	23	19	6	9	7,5	0,5	26	20	10	0,5	12
041002	FF06ISO/DIN	M6x1	6	16	14	12	6	28	23	6	10	9	0,5	31	24	12	0,5	19
041003	FF08ISO/DIN	M8x1,25	8	22	19	16	8	37	31	8	14	12	0,5	42	32	16	0,5	47
041025	FF10DIN	M10x1,5	10	26	23	20	10	46	39	10	18	15	0,5	52	40	20	0,5	89
041026	FF12DIN	M12x1,75	12	32	28	24	12	55	47	12	20	18	0,5	62	48	24	0,5	153
041027	FF14DIN	M14x2	14	-	-	27	14	-	-	-	24	22,5	1	72	56	28	1	224
041028	FF16DIN	M16x2	16	40	36	32	16	72	62	14	26	24	1	83	64	32	1	320
041030	FF20DIN	M20x2,5	20	48	44	40	20	88	72	16	34	30	1	105	80	40	1	680
041067	FFP24DIN	M24x3	25	-	-	50	25	-	-	-	42	36	1	132	100	50	1	1330