

# Valves series A1

## 1/4", 3/2, pneumatically operated



Standard executions			
Version	Symbol	Code	Item
3/2 NC		034027	A1P230
3/2 NO		034054	A1P231
3/2 pilot/pilot		034026	A1P232
3/2 pilot/pilot differential		034055	A1P233



Series of spool valves, with static seals, high flow, for panel or sub-base mounting.  
For the sub-bases type A1B2... see page 2.85.1



II 2Gc IIB T5  
II 2Dc T100°C

On request, they can be supplied according to 2014/34/EU - ATEX

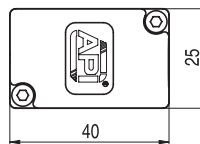
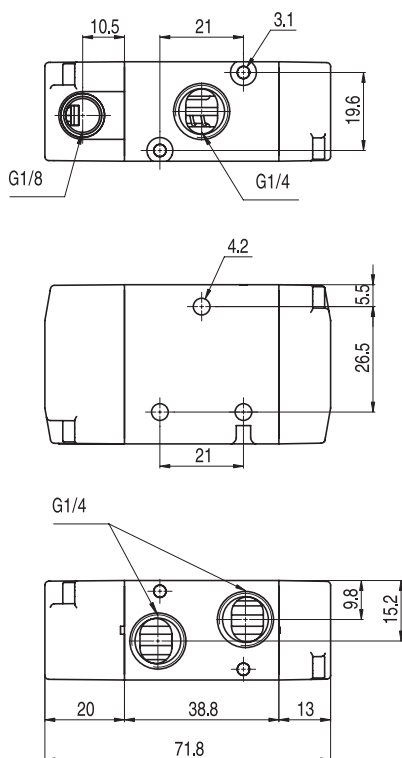
Options	Suffix
Low temperature seals (-25 ÷ +60°C)	BT

### Code key

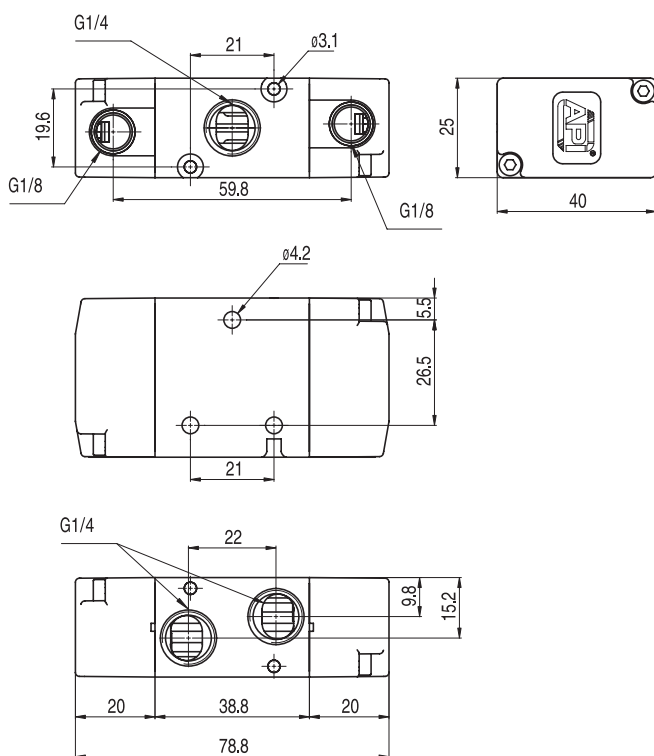
Series	Actuation	Size	Function	Options
A1	P = pneumatic	2 = 1/4"	30 = 3/2 NC 31 = 3/2 NO 32 = 3/2 pilot/pilot 33 = 3/2 pilot/pilot differential	BT = low temp. seals

Technical data	
Fluid	Compressed filtered air with or without lubrication. Lubrication, if started, must be continued.
Pressure range	Spring return: 1,5 ÷ 10 bar      Bistable: 1 ÷ 10 bar
Temperature range	-10°C ÷ +60°C (standard)      -25°C ÷ +60°C (BT)
Orifice	8 mm
Flow	1.100 NI/min at 6 bar with ΔP 1 bar
Minimum piloting pressure	1,5 bar
Materials	Body: Anodised aluminium Covers: Hostaform C 13031 Spool: Hard aluminium anodized Distancers: Ixef 1022 Seals: Hydrogenated Nitrile Butadiene Rubber (HNBR)

Valves series A1  
1/4", 3/2, pneumatically operated



Version	Symbol	Code	Item
3/2 NC		034027	A1P230
3/2 NO		034054	A1P231



Version	Symbol	Code	Item
3/2 pilot/pilot		034026	A1P232
3/2 pilot/pilot differential		034055	A1P233