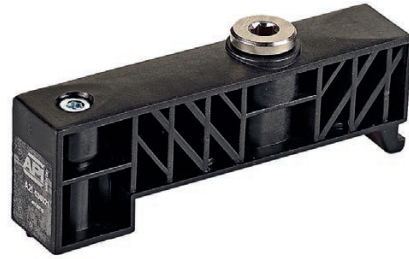


Standard executions		
Version	Code	Item
Feeding module for internal piloting	036021	A2I
Feeding module for external piloting	036022	A2E
Blanking module for unused positions	036024	A2PC

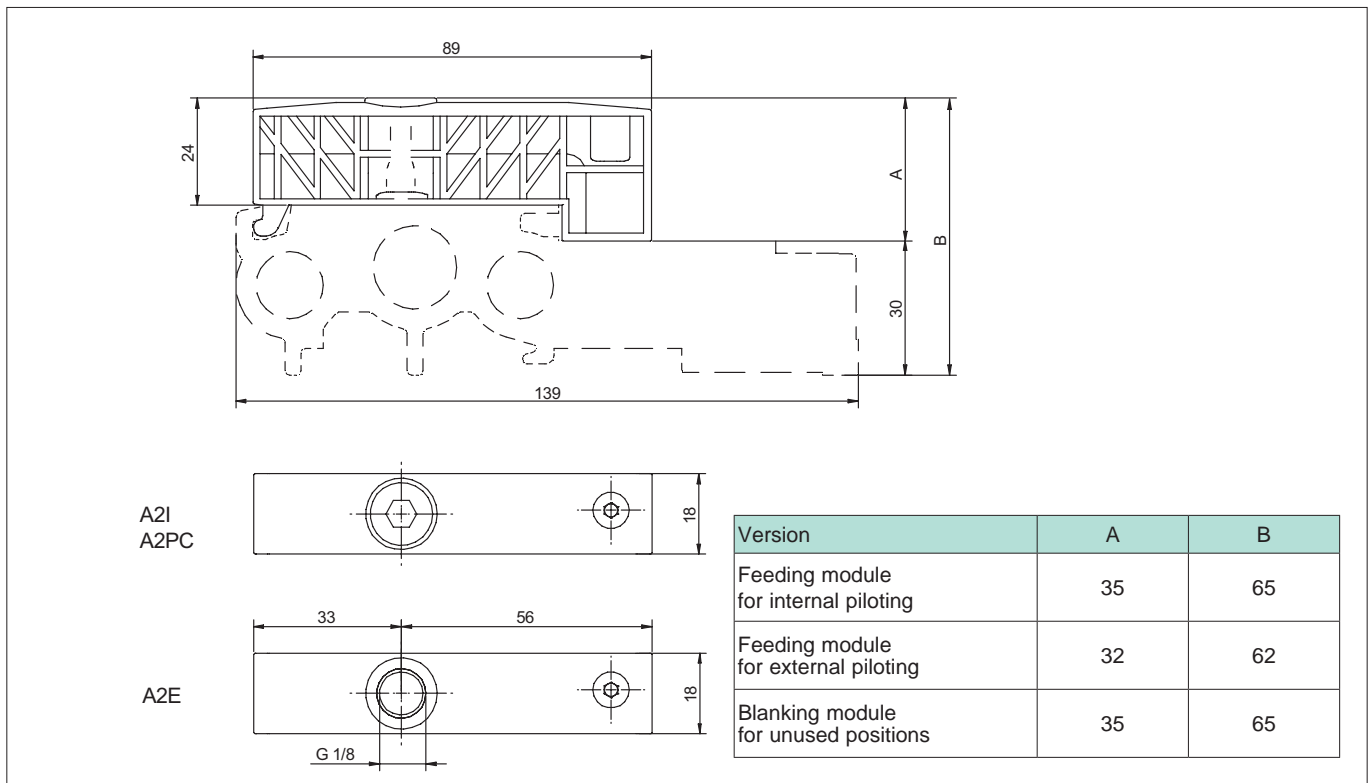


The pneumatic feeding to the valve pilots mounted on the island, is by a feeding module, which takes on the base a dedicated position, on the opposite side of the SUB-D connector.

The module can be:

- Internal piloted, when the piloting pressure is the same as the main feeding on;
- External piloted, when the piloting pressure and main feeding on 1 are differentiated.

To complete the range, there is the blanking module for the unused position. The electrical connection in this case will be protected by a suitable plug.



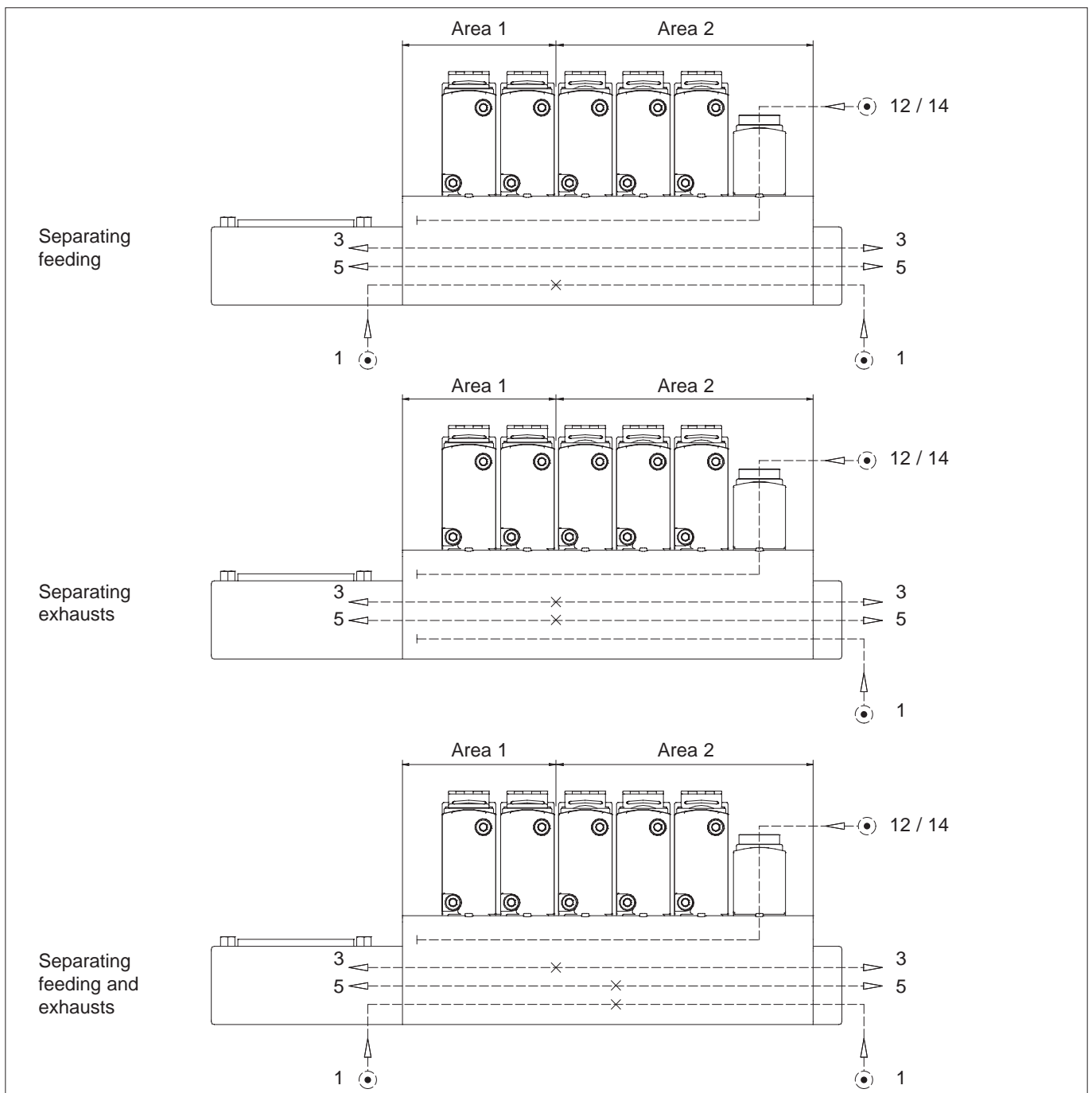
Standard executions		
Version	Code	Item
Blanking diaphragm for separating the feedings	036020	A2T
Blanking diaphragm for separating the exhausts	036027	A2S



The valve units A2 can work with two zones of different pressures by using blanking diaphragms:

- Diaphragm for differentiated main feeding: In case two different pressures should be needed on the same island and feeding two separated groups of valves. In this case base should be fed on both sides;
- Diaphragm for differentiated exhausts: In case is necessary to separate the exhausts on 3 or 5 or both. This way, the exhausts of two groups of valves can be conveyed separately;

Both types of diaphragms can be mounted without occupying any valve position on the base and for this reason they can be applied also later.



Solenoid valves series A2

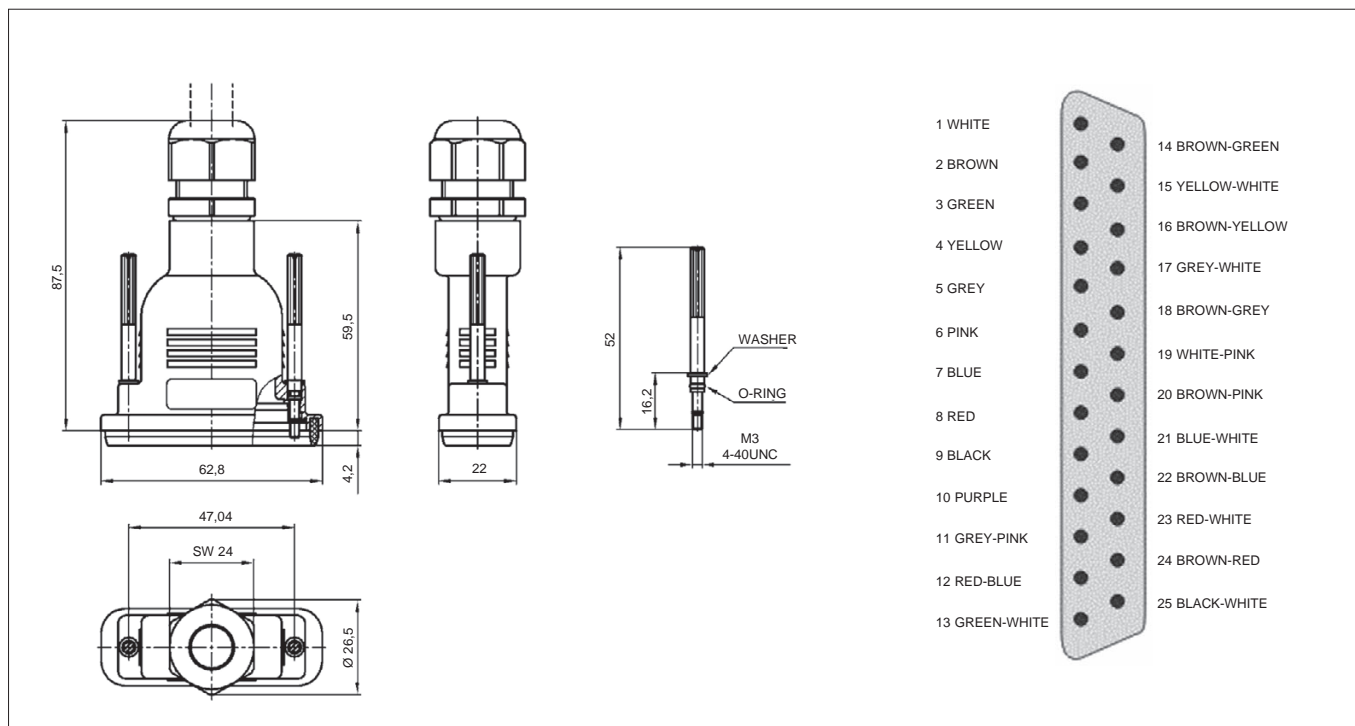
Sub-bases, accessories, SUB-D connector



Standard executions		
Version	Code	Item
SUB-D connector with 5 mt cable, 25 poles	036023	SD25-5
SUB-D connector with 7 mt cables, 25 poles	036025	SD25-7
SUB-D connector with 10 mt cables, 25 poles	036026	SD25-10



Cables with multi-pole connector 25 poles, to transfer electric signals. The cable, equipped with protection against electro-magnetic interferences, can handle up to max. 12 solenoid valves, either they are spring-return, solenoid/solenoid or 3 positions. Connector is protected by a special cap resistant to water conforming to the Standard SUB-D. Cable is conforming to normative VDE 0812 for what concern the constructive, electrical and mechanical features. Colour of wires are conforming to Standard DIN 47100 – Earth Shielding



Technical data		
External sheath PVC-FR GREY color (RAL7001) (CEI 20-22 II).		
Connector materials	Cap: Contacts: Screw:	PBT + glass Golden brass Stainless steel
Specifics of cable	25 x 0,25 mm ²	Test voltage 1500V, working tensions 250V Conductors electrical resistance 52,2 Ω/Km, min. insulation resistance 20 MΩ/Km
Normatives	CEI EN 60228 Cl.5 - CEI 20-22 II - CEI 20-37/0 - DIN 47100 - CEI EN 60332-1-2	
Working temperature	- 20 °C ÷ + 80 °C	
Protection	IP 65	