

# Indirectly operated solenoid valves for water and steam

## 2/2, normally closed from 1/4" to 2"



Standard executions		
Version	Symbol	Type
With NBR seals (-10°C ÷ + 90°C)		AEN22
With FKM seals (-10°C ÷ +130°C)		AEV22
With EPDM seals (+140°C)		AEP22



Options	Suffix
Chemical nickel-plated	N
Normally open	NA
Bistable manual override	M

Series of indirectly operated valves for fluids and compressed air, servoassisted with diaphragm.  
Coils and connectors have to be ordered separately.

For the coils type ASA33/ASA32 see from page 2.200.20.  
For the connectors type A122/A182 see page 2.210.20/2.210.30.

Connections	
1/4" = 014	1" = 100
3/8" = 038	1 1/4" = 114
1/2" = 012	1 1/2" = 112
3/4" = 034	2" = 200

How to order: AEN22100N

Type	Port	Options
AEN22	100	N

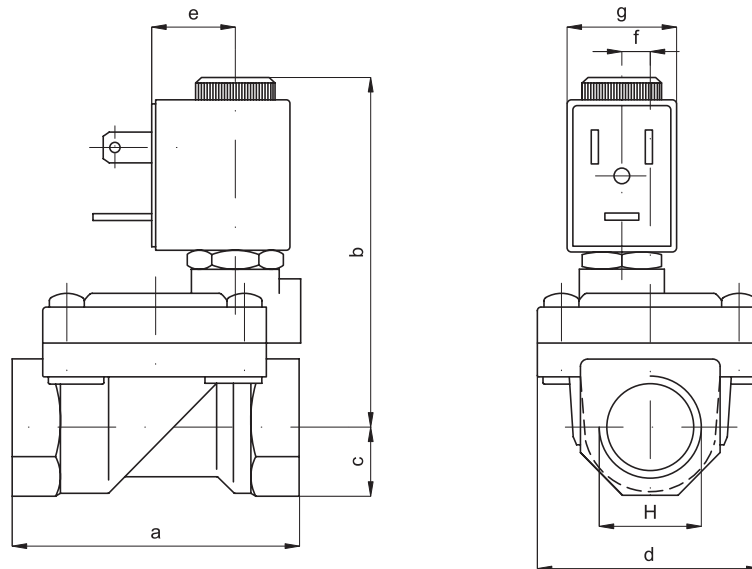
To identify order codes see the table below.

Technical data	
Fluid	Compressed filtered air with or without lubrication. Lubrication, if started, must be continued.
Pressure range	25 bar
Fluid maximum viscosity	25 cSt (mm <sup>2</sup> /s)
Orifice	See the table below
Flow	See the table below
Mounting	Better with the coil high
Materials	Body: Brass Seals: NBR - FKM - EPDM Internal parts: Stainless steel

Connections	Orifice mm	Flow m <sup>3</sup> /h	Differential pressure bar			Power			Coil type	Order codes		
			Min	Max		AC (VA)		DC (Watt)		NBR (AEN type)	FKM (AEV type)	EPDM (AEP type)
				AC	DC	Inrush	Rating					
1/4"	10	1,5	0,15	15	15	12	8	6,5	ASA33	035501	035511	035521
3/8"	12	2	0,15	15	15	12	8	6,5	ASA33	035502	035512	035522
1/2"	12	2,2	0,15	15	15	12	8	6,5	ASA33	035503	035513	035523
3/4"	18	5,2	0,15	13	13	12	8	6,5	ASA33	035504	035514	035524
1"	24	10,2	0,15	10	10	12	8	6,5	ASA33	035505	035515	035525
1 1/4"	38	18	0,15	10	10	20	15	10	ASA32	035506	035516	035526
1 1/2"	38	21	0,15	10	10	20	15	10	ASA32	035507	035517	035527
2"	50	36	0,15	10	10	20	15	10	ASA32	035508	035518	035528



Indirectly operated solenoid valves for water and steam  
 2/2, normally closed from 1/4" to 2"



H	a	b	c	d	e	f	g	Weight kg.
1/4"	47	64	11	32	16	-	22	0,25
3/8"	60	73	14	45	16	6	22	0,45
1/2"	60	73	14	45	16	6	22	0,40
3/4"	75	75	18	55	20	8,5	22	0,66
1"	96	85	20	72	32	-	22	1,20
1" 1/4	144	95	28	102	45	-	30	3,20
1" 1/2	144	95	28	102	45	-	30	2,90
2"	152	119	35	119	48	-	30	4,50