

# Valves series A1

## 1/8", 5/2, Mechanically operated



Standard executions			
Version	Symbol	Code	Item
5/2 lever/spring with bi-directional lever and roller		034156	A1ME150RLB
5/2 lever/spring with adjustable bi-directional lever and roller		034157	A1ME150RLBR



Side lever valve mechanically operated spool valve with side lever and high flow static seals.  
Panel assembly with screws.

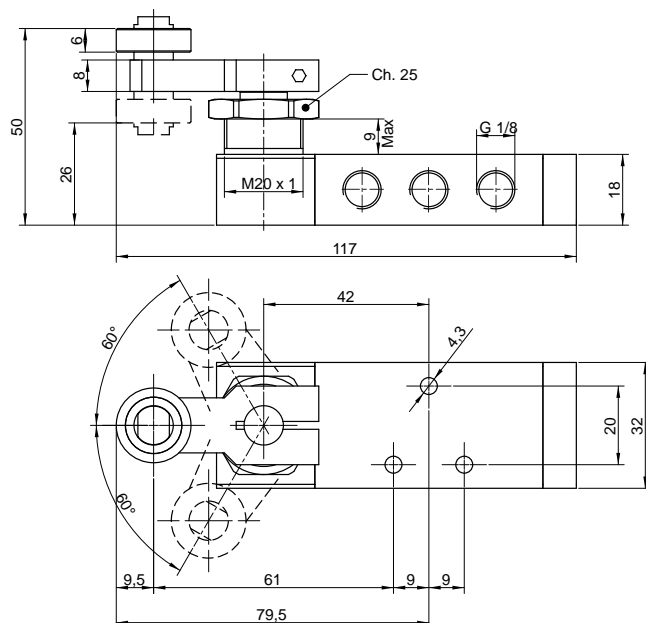
### Code key

Series	Actuation	Size	Function	Actuation
A1	ME=Mechanically	1 = 1/8"	50 = 5/2 spring return	RLB = Lever and roller RLBR = Adjustable lever and roller

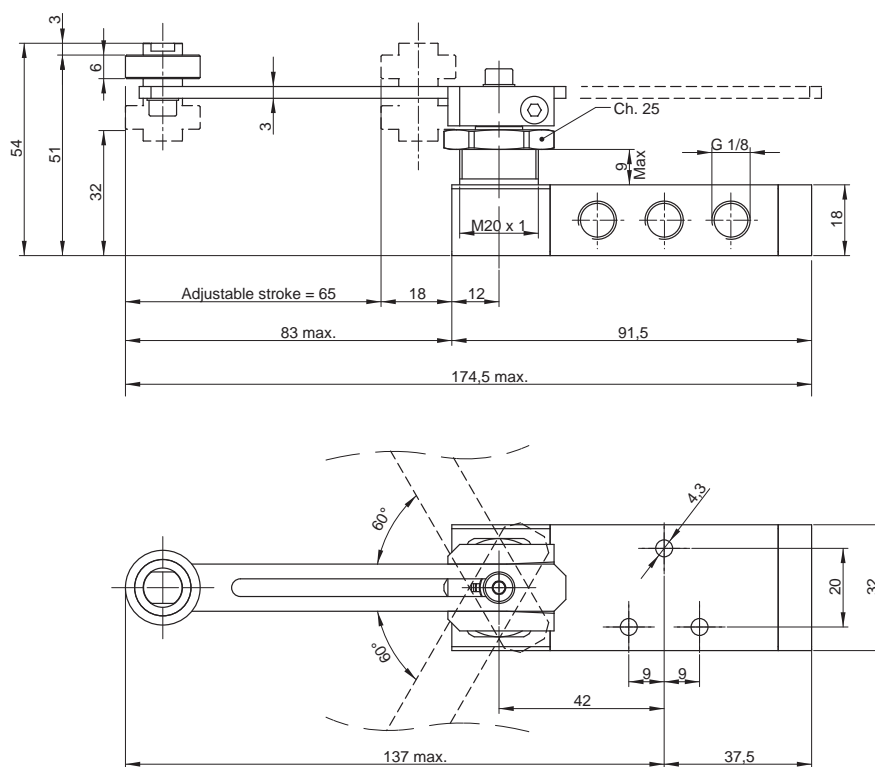
Technical data	
Fluid	Compressed filtered air with or without lubrication. Lubrication, if started, must be continued.
Pressure range	1 ÷ 10 bar
Temperature range	-10 °C ÷ + 60°C
Orifice	6,5 mm
Flow	650 NI/min a 6 bar at ΔP 1 bar
Mounting	In any position
Materials	Body: Anodised aluminium Covers: Anodised aluminium Lever: Anodised aluminium Spool: Hard aluminium anodized Distancers: Ixef 1022 Seals: Hydrogenated Nitrile Butadiene Rubber (HNBR)



Valves series A1  
1/8", 5/2, Mechanically operated



Version	Symbol	Code	Item
5/2 lever/spring with bi-directional lever and roller		034156	A1ME150RLB



Version	Symbol	Code	Item
5/2 lever/spring with adjustable bi-directional lever and roller		034157	A1ME150RLBR