

Standard executions			
Version	Symbol	Code	Item
M5		030806	7VSR
1/8"		030801	1VSR
1/4"		030802	2VSR
3/8"		030803	3VSR
1/2"		030804	4VSR
3/4"		030805	5VSR
3/4" maxi		030807	5VSRM
1" maxi		030808	6VSRM



Series of quick exhaust valves used to increase the speed of a cylinder.

The valve must be mounted directly on the port of the cylinder to achieve the maximum possible speed.

When the supply is in P the diaphragm closes the exhaust R and so the air flows through A into the chamber of the cylinder. When the supply in P fails the diaphragm closes P and this is due to the exhaust air from A to R. The noise of the exhaust can be reduced by a silencer.

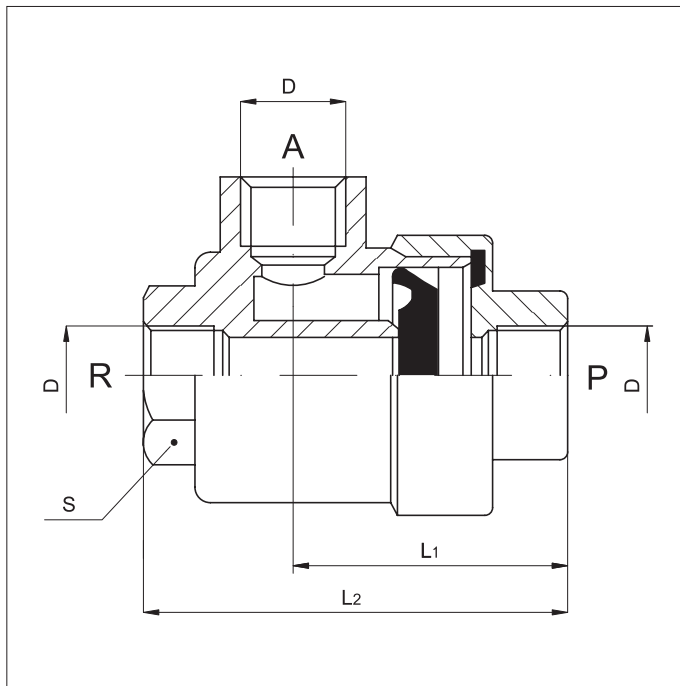
For silencers see from page 4.0

How to order: 2VSRV

Options		Suffix
Seals FKM	-10 ÷ +150°C	V
Threaded NPT		NPT
Low temperature seals	-25 ÷ +70°C	BT

2VSR	V
Version	Option

Technical data							
Fluid	Compressed filtered air with or without lubrication.						
Pressure range	1 ÷ 10 bar						
Temperature range	-20°C ÷ +70°C (standard)		-10°C ÷ +150°C (V)			-25°C ÷ +70°C (BT)	
Orifice (mm)	M5 = 4	1/8" = 6	1/4" = 8,5	3/4" = 8,5	1/2" = 15	3/4" = 18	1" = 24
Flow from P at A (NI/min at 6 bar)	310	1170	3200	3600	5900	3100 (a 3 bar)	-
Flow from A at R (NI/min at 6 bar)	310	1400	3300	3780	7500	6300 (a 3 bar)	-
Mounting	Preferably directly on the port of the cylinder						
Materials	Body:	Nickel-plated brass					
	Diaphragm:	Standard PU (NBR only for M5) Option (V): FKM					
	Washer:	Hytrel 55 D					



D	L1	L2	S
1/8"	30	46	14
1/4"	35	53	17
3/8"	37	57	21
1/2"	45	73	26
3/4"	55	90	32
M5	17	25	10
3/4" MAXI	71	110	46
1" MAXI	71	110	46

Seal kit

Valve code	Polyurethane seal code	FKM seal code	Washer code	Polyurethane seals kit code	FKM seals kit code
<b>030806</b>	030906	-	030913	-	-
<b>030801</b>	030901	030909	038018	038061	038062
<b>030802 / 030803</b>	030902	030903	038019	038063	038064
<b>030804</b>	030904	030910	038020	038065	038066
<b>030805</b>	030905	030908	038021	038067	038068
<b>030807 / 030808</b>	030907	030911	038026	038069	038070