

Standard executions			
Version	Symbol	Code	Item
Filter-regulator + lubricator		090115	A01FRRL
Filter-regulator		090116	A01FRR
Filter		090117	A01F
Regulator		090118	A01R
Lubricator		090119	A01L



Options	Suffix
Filter 5 μ cartridge	<b>5</b>
Automatic condense drain for filters	<b>SA</b>
Metal cup	<b>TM</b>
With regulation range 0,5÷4 bar	<b>04</b>

Series of modular units with the following standard features :

- Regulators with relieving valve
- Filters standard with 25μ cartridge
- Filters with semi-automatic condense drain
- Cup with protection

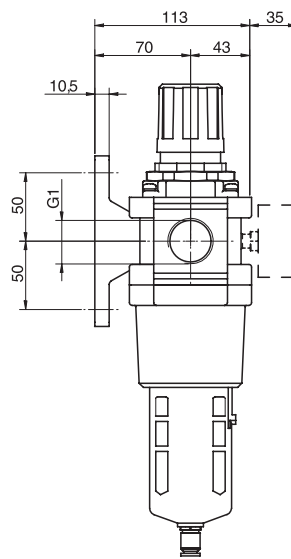
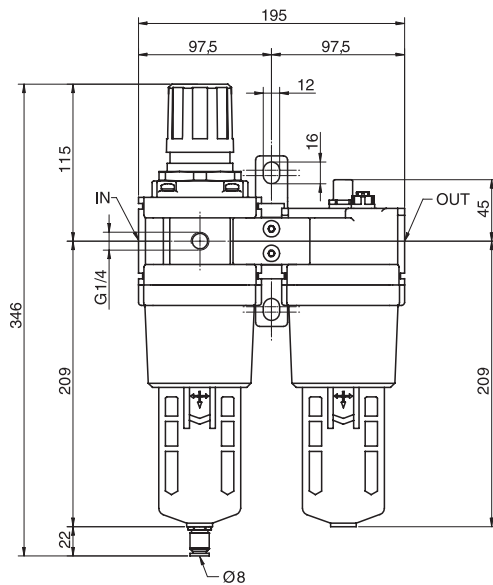
The gauges are to be ordered separately; for gauges see from page 3.50.1

For mounting accessories, assembling kits and spare parts see from page 3.5.1

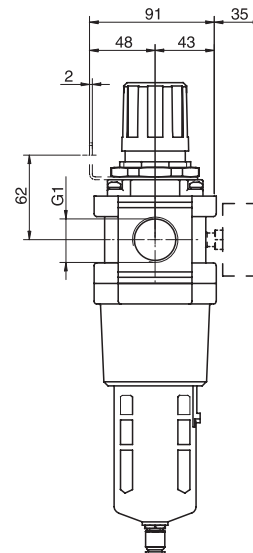
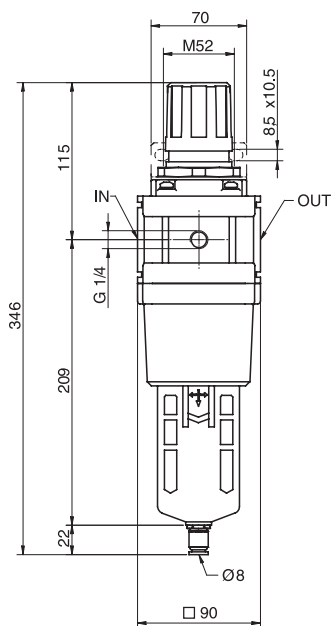
How to order: A01FTMSA

A01F	TM	SA
Version	Option	Option

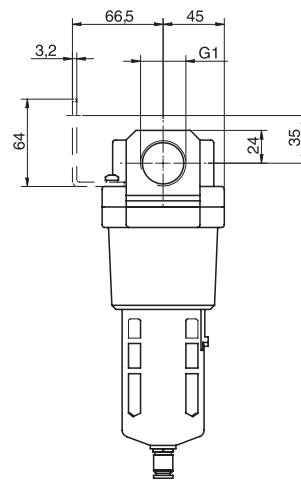
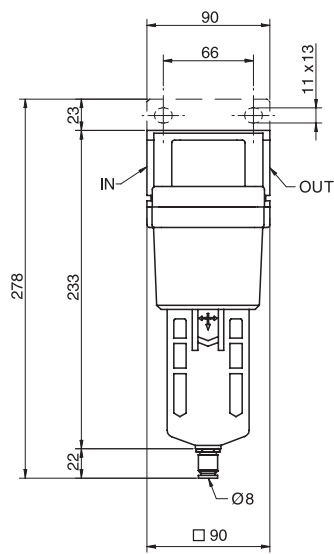
Technical data															
Fluid	Compressed air														
Maximum pressure	10 bar														
Regulation range	0,5 ÷ 8,5 bar														
Flow at 6 bar (NI/min)	A01FRRL = 4000; A101FRR = 5500; A01F = 7000; A01R = 8000; A01L = 7000														
Temperature range	0 ÷ 60 °C														
Suggested oil	With ISO VG 32 viscosity conforming to ISO 3448 standards														
Cup capacity	Filter : 130 cm <sup>3</sup> Lubricator : 130 cm <sup>3</sup>														
Filtering element	Standard 25 μ - On request 5 μ														
Condense drain	Standard semi-automatic - On request automatic														
Materials	<table border="0"> <tr> <td>Body and cup protection:</td> <td>Painted aluminium</td> </tr> <tr> <td>Regulation group:</td> <td>Plastic</td> </tr> <tr> <td>Condense drain</td> <td>Nickel plated brass</td> </tr> <tr> <td>Filtering element</td> <td>Sintered bronze</td> </tr> <tr> <td>Diaphragm</td> <td>Nitrile rubber (NBR)</td> </tr> <tr> <td>Cup and sight glass</td> <td>Polycarbonate</td> </tr> <tr> <td>Springs</td> <td>Steel</td> </tr> </table>	Body and cup protection:	Painted aluminium	Regulation group:	Plastic	Condense drain	Nickel plated brass	Filtering element	Sintered bronze	Diaphragm	Nitrile rubber (NBR)	Cup and sight glass	Polycarbonate	Springs	Steel
Body and cup protection:	Painted aluminium														
Regulation group:	Plastic														
Condense drain	Nickel plated brass														
Filtering element	Sintered bronze														
Diaphragm	Nitrile rubber (NBR)														
Cup and sight glass	Polycarbonate														
Springs	Steel														



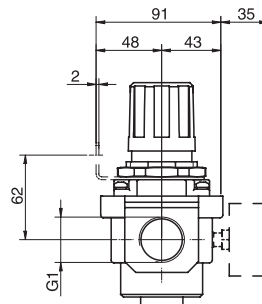
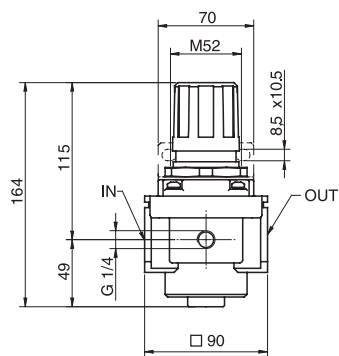
Version	Symbol	Code	Item
Filter-regulator + lubricator		090115	A01FRRL



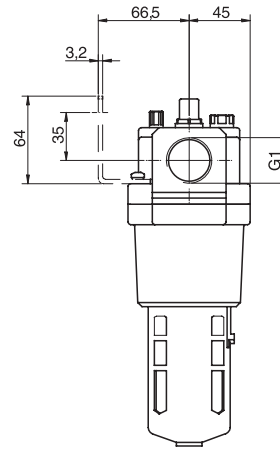
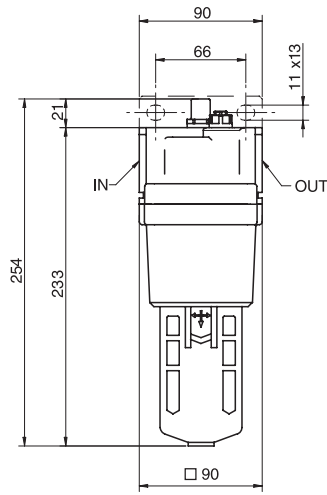
Version	Symbol	Code	Item
Filter-regulator		090116	A01FRR



Version	Symbol	Code	Item
Filter		090117	A01F



Version	Symbol	Code	Item
Regulator		090118	A01R



Version	Symbol	Code	Item
Lubricator		090119	A01L