

Standard fittings series A

In nickel plated brass



Version	Type	Version	Type
M - F BSP reducer	A001	Nut	A013
M - F BSPT reducer	A002	BSP - hose adapter	A015
M - F BSP stem increaser	A003	Female bulkhead	A044
M - F BSPT stem increaser	A004	F - F elbow	A021
BSP nipple	A005	M - F elbow	A022
BSPT nipple	A006	M - M elbow	A035
M - F BSP extension	A039	F - F - F tee	A023
Female socket	A007	F - M - F tee	A024
Male BSP plug	A008	M - F - F tee	A025
Male BSPT plug	A016	M - F - M tee	A045
BSN plug	A009	M - M - F tee	A027
Female plug	A010	M - M - M tee	A036
Olive	A011	F - F - F Y	A040
BSPT olive	A012	F - M - F Y	A041
M-F BSP reducer insert	A014	F - F - F - F +	A026
		M - F - F - F +	A046
		Female single banjo	A042
		BSPT nipple union	A047



Series of standard fittings available in various configurations to adapt the connections of every installation according to one's requirements. With threads Gas taper (BSPT) and Gas parallel (BSP).

For sealing washers (parallel threads) see page 4.65.41..

*How to order: A0021214 /S

A002	12	14	/S
Type	Thread	Thread	Option

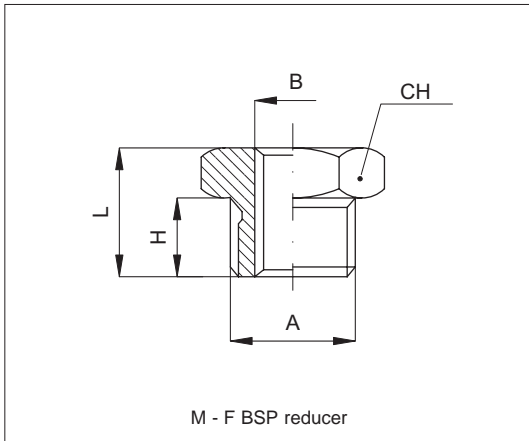
* For standard items, codes and dimensions see tables from page 4.35.2.

Threads	M5	1/8"	1/4"	3/8"	1/2"	3/4"	1"
Code	M5	18	14	38	12	34	01

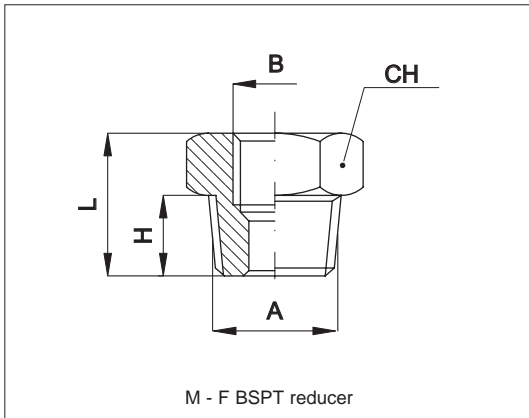
Options	Suffix
Special versions on request	/ S

Technical data	
Fluid	Compressed air
Pressure range	60 bar
Parallel threads	UNI - ISO 228 / 1 (BSP)
Taper threads	UNI - ISO 7 / 1 (BSPT)
Metric threads	ISO R / 262
Materials	Nickel plated brass

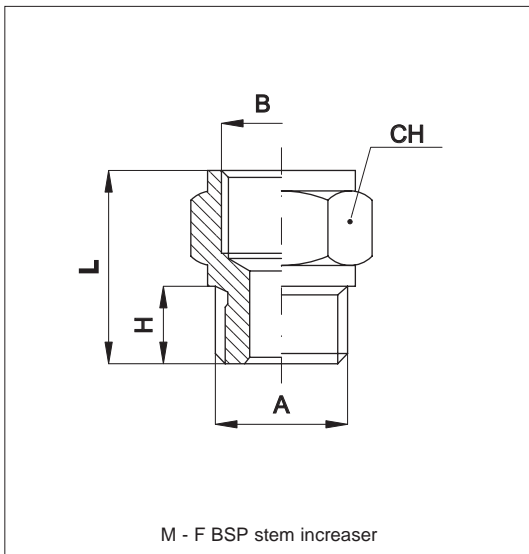
Standard fittings series A
In nickel plated brass



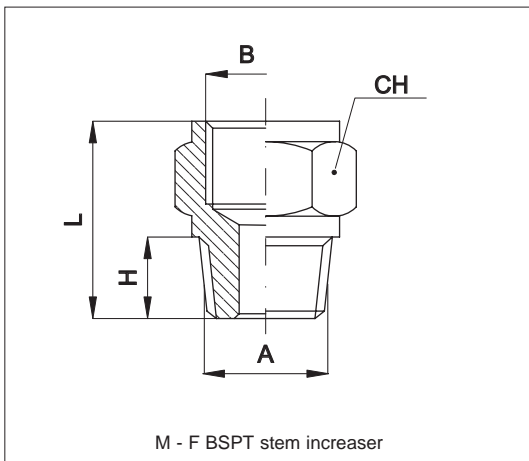
Code	Item	A	B	H	L	CH
022301	A001 18 05	1/8"	M5	6	10	14
022302	A001 14 18	1/4"	1/8"	8	13	17
022303	A001 38 18	3/8"	1/8"	9	14	19
022304	A001 38 14	3/8"	1/4"	9	14	19
022305	A001 12 14	1/2"	1/4"	9	15	24
022306	A001 12 38	1/2"	3/8"	9	15	24
022307	A001 34 14	3/4"	1/4"	11	16	30
022308	A001 34 38	3/4"	3/8"	11	16	30
022309	A001 34 12	3/4"	1/2"	11	16	30
022310	A001 01 38	1"	3/8"	12	19	36
022311	A001 01 12	1"	1/2"	12	19	36
022312	A001 01 34	1"	3/4"	12	19	36
022313	A001 12 18	1/2"	1/8"	9	15	24



Code	Item	A	B	H	L	CH
022331	A002 14 18	1/4"	1/8"	10	15	14
022332	A002 38 18	3/8"	1/8"	10	15	17
022333	A002 38 14	3/8"	1/4"	10	15	17
022334	A002 12 14	1/2"	1/4"	13	19	22
022335	A002 12 38	1/2"	3/8"	13	19	22
022336	A002 34 14	3/4"	1/4"	14	20,5	27
022337	A002 34 38	3/4"	3/8"	14	20,5	27
022338	A002 34 12	3/4"	1/2"	14	20,5	27
022339	A002 01 38	1"	3/8"	16	22	34
022340	A002 01 12	1"	1/2"	16	22	34
022341	A002 01 34	1"	3/4"	16	22	34
022342	A002 12 18	1/2"	1/8"	13	19	22

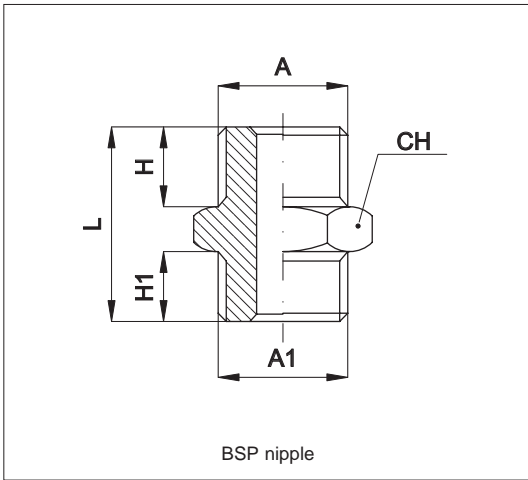


Code	Item	A	B	H	L	CH
022361	A003 05 05	M5	M5	4	11	8
022362	A003 05 18	M5	1/8"	5	16	14
022363	A003 18 18	1/8"	1/8"	6	16	14
022364	A003 18 14	1/8"	1/4"	6	19,5	17
022365	A003 18 38	1/8"	3/8"	6	20	22
022366	A003 14 14	1/4"	1/4"	8	21	17
022367	A003 14 38	1/4"	3/8"	8	21	22
022368	A003 14 12	1/4"	1/2"	8	25	27
022369	A003 38 38	3/8"	3/8"	9	23	22
022370	A003 38 12	3/8"	1/2"	9	26	27
022371	A003 12 12	1/2"	1/2"	10	26	27
022372	A003 38 34	3/8"	3/4"	9	26	32
022373	A003 12 34	1/2"	3/4"	10	27	32
022374	A003 34 34	3/4"	3/4"	11	28	32
022375	A003 12 01	1/2"	1"	10	29	38
022376	A003 34 01	3/4"	1"	11	30	38
022377	A003 01 01	1"	1"	12	31	38

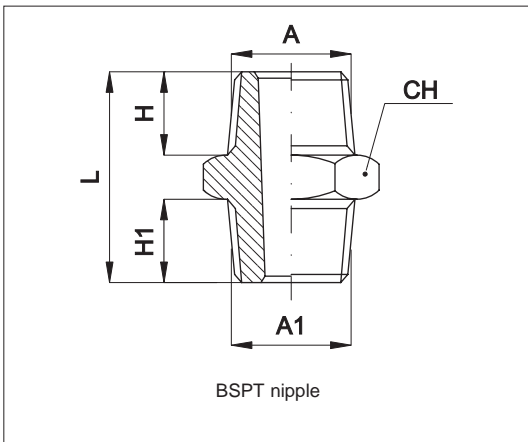


Code	Item	A	B	H	L	CH
022391	A004 18 18	1/8"	1/8"	7,5	17,5	14
022392	A004 18 14	1/8"	1/4"	7,5	21	17
022393	A004 18 38	1/8"	3/8"	7,5	22	22
022394	A004 14 14	1/4"	1/4"	10	24	17
022395	A004 14 38	1/4"	3/8"	10	26	22
022396	A004 14 12	1/4"	1/2"	10	28	27
022397	A004 38 38	3/8"	3/8"	10	26	22
022398	A004 38 12	3/8"	1/2"	10	28	27
022399	A004 12 12	1/2"	1/2"	12	30	27
022400	A004 38 34	3/8"	3/4"	10	27	32
022401	A004 12 34	1/2"	3/4"	13	30	32
022402	A004 34 34	3/4"	3/4"	14	31	32
022403	A004 12 01	1/2"	1"	13	32	38
022404	A004 34 01	3/4"	1"	14	33	38
022405	A004 01 01	1"	1"	16	35	38

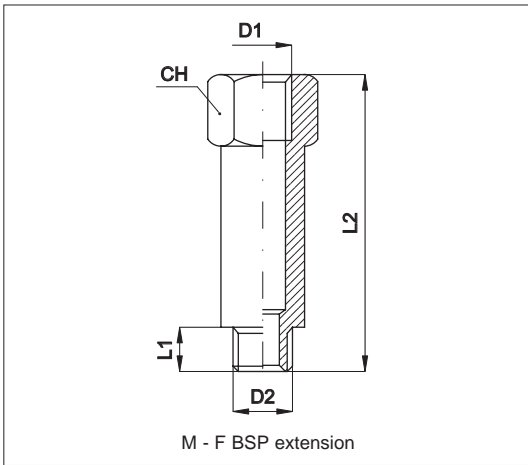
Standard fittings series A
In nickel plated brass



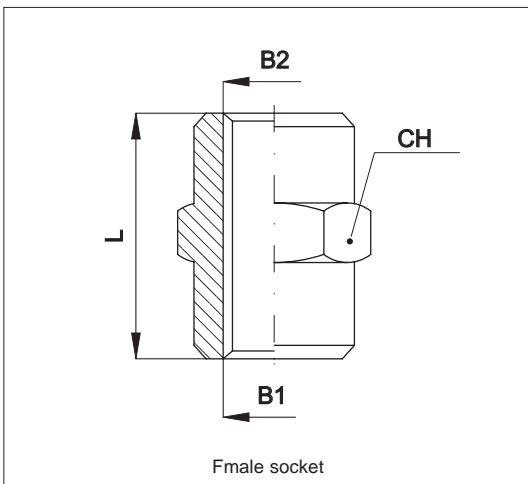
Code	Item	A	A ₁	H	H ₁	L	CH
022421	A005 05 05	M5	M5	4	4	11	8
022422	A005 05 18	M5	1/8"	4	6	14	14
022423	A005 18 18	1/8"	1/8"	6	6	16,5	14
022424	A005 18 14	1/8"	1/4"	6	8	19	17
022425	A005 18 38	1/8"	3/8"	6,5	9	20	19
022426	A005 14 14	1/4"	1/4"	8	8	21	17
022427	A005 14 38	1/4"	3/8"	8	9	22	19
022428	A005 14 12	1/4"	1/2"	8	10	23,5	24
022429	A005 38 38	3/8"	3/8"	9	9	23	19
022430	A005 38 12	3/8"	1/2"	9	10	24,5	24
022431	A005 12 12	1/2"	1/2"	10	10	25,5	24
022432	A005 12 34	1/2"	3/4"	10	11	27	30
022433	A005 34 34	3/4"	3/4"	11	11	28	30
022434	A005 34 01	3/4"	1"	11	13	30	36
022435	A005 01 01	1"	1"	12	12	31	36



Code	Item	A	A ₁	H	H ₁	L	CH
022451	A006 18 18	1/8"	1/8"	7,5	7,5	19	12
022452	A006 18 14	1/8"	1/4"	7,5	10	22,5	14
022453	A006 18 38	1/8"	3/8"	7,5	10	22,5	17
022454	A006 14 14	1/4"	1/4"	10	10	25	14
022455	A006 14 38	1/4"	3/8"	10	10	25	17
022456	A006 14 12	1/4"	1/2"	11,2	13,5	30	22
022457	A006 38 38	3/8"	3/8"	10	10	25	17
022458	A006 38 12	3/8"	1/2"	10	12	28	22
022459	A006 12 12	1/2"	1/2"	12	12	30	22
022460	A006 12 34	1/2"	3/4"	12	14	32	27
022461	A006 34 34	3/4"	3/4"	14	14	34	27
022462	A006 34 01	3/4"	1"	14	16	36	34
022463	A006 01 01	1"	1"	16	16	39	34



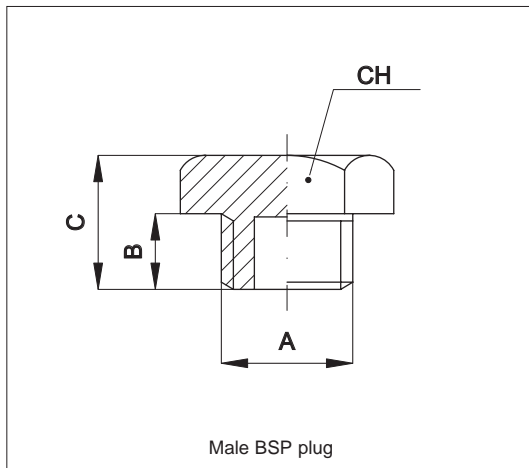
Code	Item	D ₁	D ₂	L ₁	L ₂	CH
022821	A039 18 C23	1/8"	1/8"	6	23	12
022822	A039 18 L44	1/8"	1/8"	6	44	12
022823	A039 14 C28	1/4"	1/4"	8	28	16
022824	A039 14 L45	1/4"	1/4"	8	45	16
022825	A039 12 C36	1/2"	1/2"	9	36	24
022826	A039 14 L51	1/4"	1/4"	8	51	16
022827	A039 38 L41	3/8"	3/8"	9	41	22
022829	A039 34 L50	3/4"	3/4"	-	50	30
022830	A039 01 L50	1"	1"	-	50	38



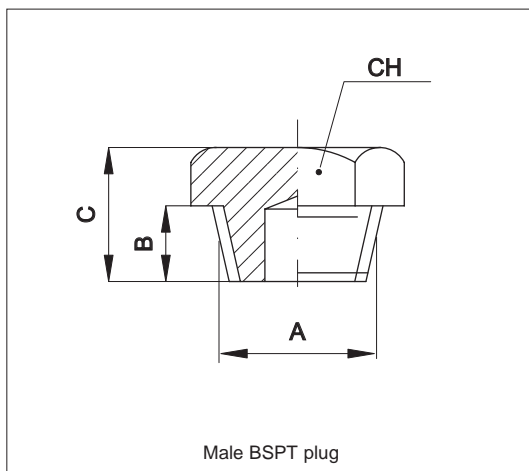
Code	Item	B ₁	B ₂	L	CH
022481	A007 05 05	M5	M5	11	8
022482	A007 05 18	M5	1/8"	13	14
022483	A007 18 18	1/8"	1/8"	15	14
022484	A007 18 14	1/8"	1/4"	19	17
022485	A007 18 38	1/8"	3/8"	20	22
022486	A007 14 14	1/4"	1/4"	22	17
022487	A007 14 38	1/4"	3/8"	23	22
022488	A007 14 12	1/4"	1/2"	26	17
022489	A007 38 38	3/8"	3/8"	23	22
022490	A007 38 12	3/8"	1/2"	26	27
022491	A007 12 12	1/2"	1/2"	29	27
022492	A007 12 34	1/2"	3/4"	25	32
022493	A007 34 34	3/4"	3/4"	32	32
022494	A007 34 01	3/4"	1"	34	38
022495	A007 01 01	1"	1"	34	38

Standard fittings series A

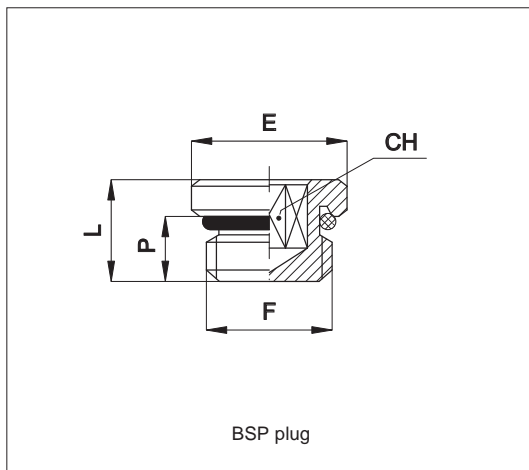
In nickel plated brass



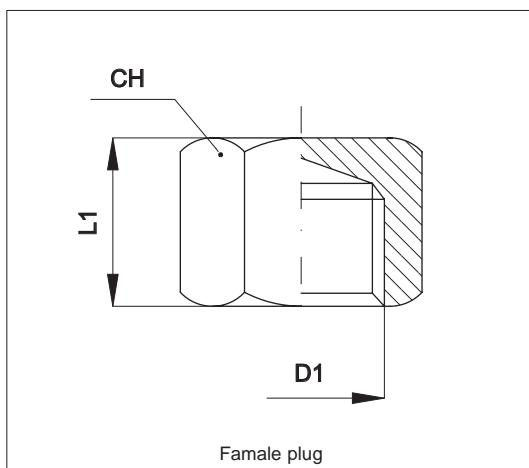
Code	Item	A	B	C	CH
022511	A008 18 18	1/8"	6	10	14
022512	A008 14 14	1/4"	8	12,5	17
022513	A008 38 38	3/8"	9	14	19
022514	A008 12 12	1/2"	10	15	24
022515	A008 34 34	3/4"	11	16,5	30
022516	A008 01 01	1"	13	19	36
022517	A008 05 05	5MA	4,5	7,5	8



Code	Item	A	B	C	CH
022471	A016 18 18	1/8"	7,5	11,5	14
022472	A016 14 14	1/4"	11	15,5	17
022473	A016 38 38	3/8"	11	16	19
022474	A016 12 12	1/2"	13	18,5	24
022475	A016 34 34	3/4"	14	20	30
022476	A016 01 01	1"	15,5	22	36



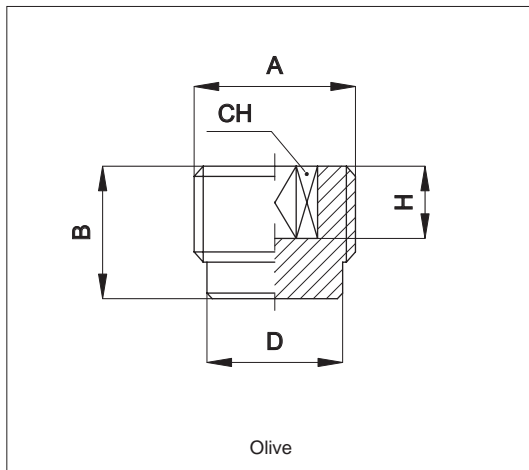
Code	Item	F	CH	P	L	E
022521	A009 05 05	M5	2,5	4,5	7,2	8
022522	A009 18 18	1/8"	5	6,5	9,5	14
022523	A009 14 14	1/4"	6	8	11,5	17
022524	A009 38 38	3/8"	8	9	12,5	20
022525	A009 12 12	1/2"	10	10	14	26



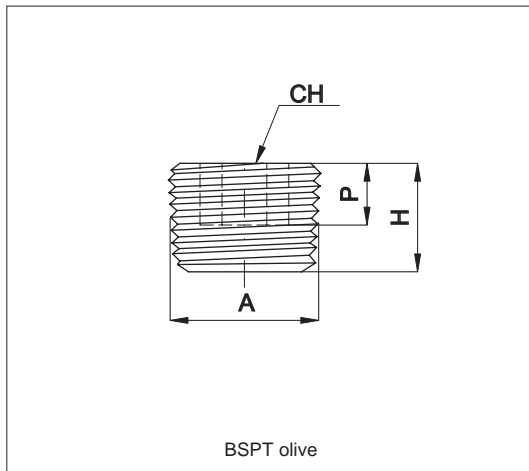
Code	Item	D ₁	L ₁	CH
022531	A010 18 18	1/8"	11	14
022532	A010 14 14	1/4"	13	17
022533	A010 38 38	3/8"	14	20
022534	A010 12 12	1/2"	15	24
022535	A010 34 34	3/4"	16	30
022536	A010 01 01	1"	18	38
022537	A010 05 05	5MA	7	8

Standard fittings series A

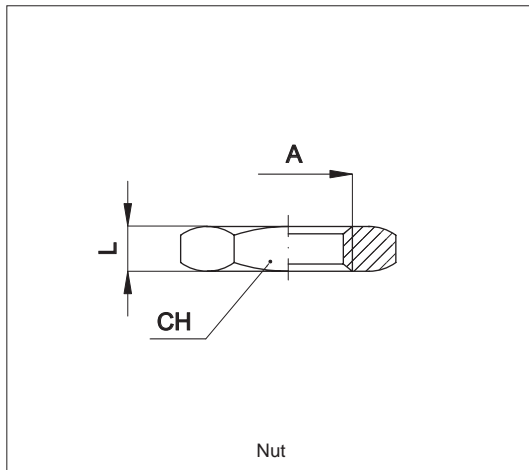
In nickel plated brass



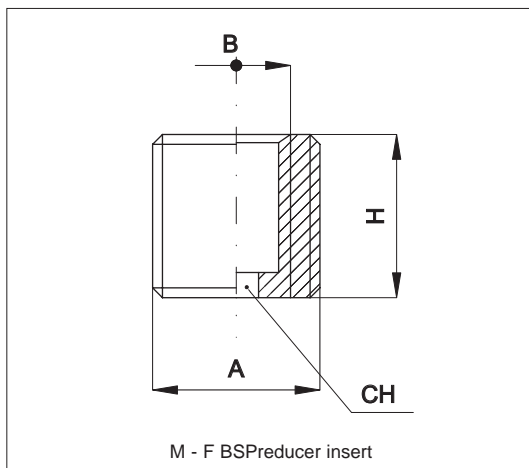
Code	Item	A	B	CH	D	H
022541	A011 18 18	1/8"	7,5	5	8	4
022542	A011 14 14	1/4"	10	6	11	6
022543	A011 38 38	3/8"	10	8	14	6
022544	A011 12 12	1/2"	11	10	18	7



Code	Item	A	H	P	CH
022546	A012 18 18	1/8"	7,5	4	5
022547	A012 14 14	1/4"	10	5	6
022548	A012 38 38	3/8"	10	6	8
022549	A012 12 12	1/2"	12	8	10



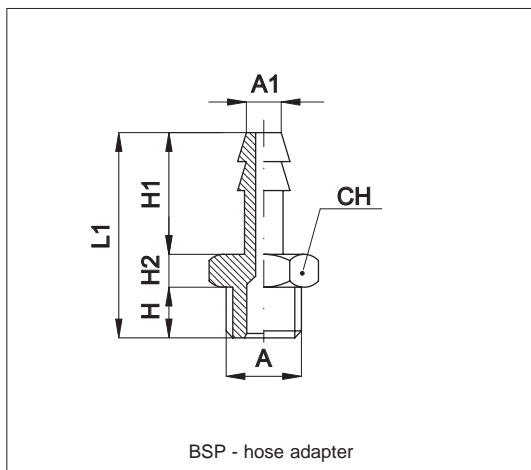
Code	Item	A	CH	L
022551	A013 18 18	1/8"	12	3
022552	A013 14 14	1/4"	16	3
022553	A013 38 38	3/8"	19	4
022554	A013 12 12	1/2"	24	4
022555	A013 34 34	3/4"	30	5
022556	A013 01 01	1"	38	6



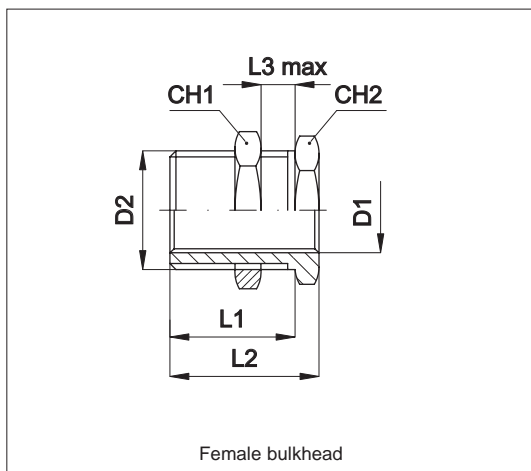
Code	Item	A	B	H	CH
022571	A014 18 05	1/8"	M5	6	3
022572	A014 14 18	1/4"	1/8"	7	6
022573	A014 38 18	3/8"	1/8"	9	6
022574	A014 38 14	3/8"	1/4"	9	8
022575	A014 12 14	1/2"	1/4"	10	8
022576	A014 12 38	1/2"	3/8"	10	10
022577	A014 34 12	3/4"	1/2"	12	14
022578	A014 01 34	1"	3/4"	14	16

Standard fittings series A

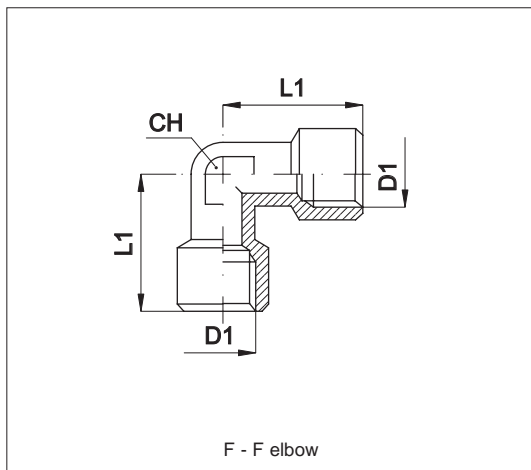
In nickel plated brass



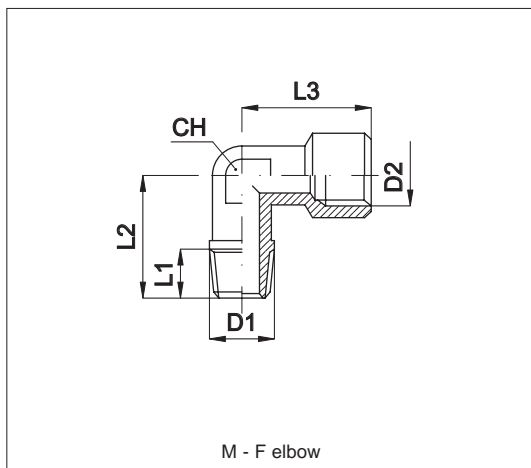
Code	Item	A	A ₁	H	H ₁	H ₂	L ₁	CH
022601	A015 18 07	1/8"	7	6	18	4	28	12
022602	A015 18 08	1/8"	8	6	18	4	28	12
022603	A015 18 09	1/8"	9	6	18	4	28	12
022604	A015 14 07	1/4"	7	8	18	4,5	30,5	17
022605	A015 14 08	1/4"	8	8	18	4,5	30,5	17
022606	A015 14 09	1/4"	9	8	18	4,5	30,5	17
022607	A015 14 12	1/4"	12	8	18	4,5	30,5	17
022608	A015 38 09	3/8"	9	9	18	5	32	19
022609	A015 38 12	3/8"	12	9	18	5	32	19
022610	A015 38 17	3/8"	17	9	18	5	32	19
022611	A015 12 12	1/2"	12	10	18	6	34	24
022612	A015 12 17	1/2"	17	9	24	5	38	24



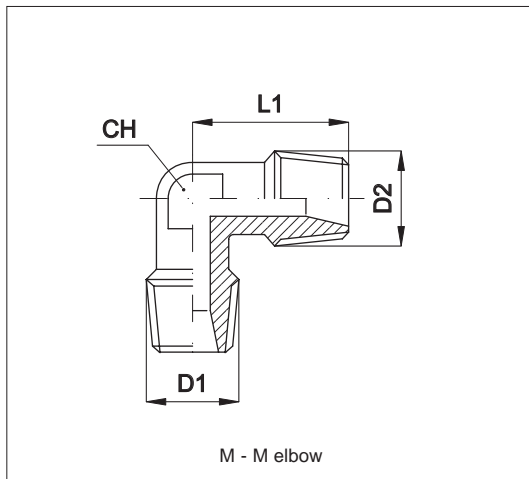
Code	Item	D ₁	D ₂	L ₁	L ₂	L ₃	CH ₁	CH ₂
022881	A044 05 05	M5	M10x1	9,5	13	6	14	14
022882	A044 18 18	1/8"	M16x1,5	15	19	10	22	19
022883	A044 14 14	1/4"	M20x1,5	19	23	14	27	24
022884	A044 38 38	3/8"	M26x1,5	22	27	16	32	30
022885	A044 12 12	1/2"	M28x1,5	28	34	21	36	32



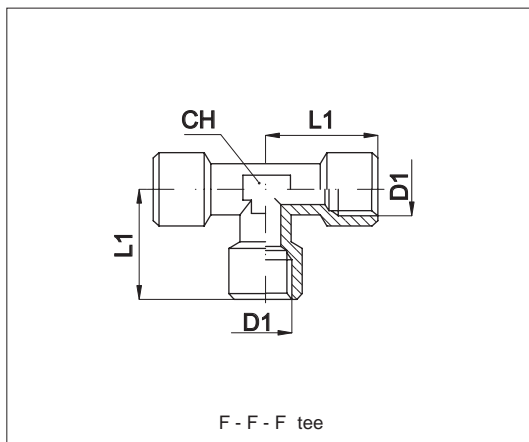
Code	Item	D ₁	L ₁	CH
022711	A021 18 18	1/8"	21	12
022712	A021 14 14	1/4"	26	13
022713	A021 38 38	3/8"	30	17
022714	A021 12 12	1/2"	34	21
022715	A021 34 34	3/4"	36,5	-
022716	A021 01 01	1"	45	-
022717	A021 05 05	M5	11	9



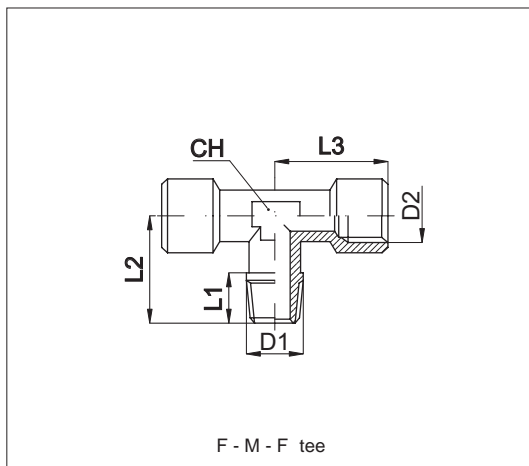
Code	Item	D ₁	D ₂	L ₁	L ₂	L ₃	CH
022731	A022 18 18	1/8"	1/8"	7,5	18	21	10
022732	A022 14 14	1/4"	1/4"	11	25	26	13
022733	A022 38 38	3/8"	3/8"	11,5	28	30	17
022734	A022 12 12	1/2"	1/2"	14	30	34	21
022735	A022 34 34	3/4"	3/4"	14,5	32	36,5	-
022736	A022 01 01	1"	1"	16,8	39	45	-
022737	A022 05 05	M5	M5	4	11,5	11	9
022738	A022 18 14	1/8"	1/4"	7,5	18	26	13



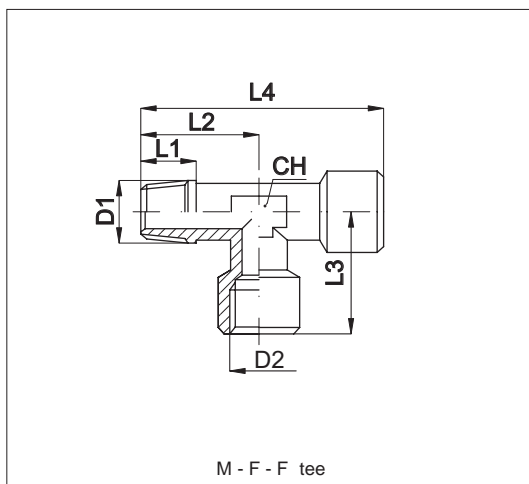
Code	Item	D ₁	D ₂	L ₁	CH
022781	A035 18 18	1/8"	1/8"	18	9
022782	A035 14 14	1/4"	1/4"	22	12
022783	A035 38 38	3/8"	3/8"	26	14
022784	A035 12 12	1/2"	1/2"	30	17
022785	A035 34 34	3/4"	3/4"	32	-
022786	A035 01 01	1"	1"	39	-
022787	A035 05 05	M5	M5	11,5	9
022810	A035 18 14	1/8"	1/4"	18	12



Code	Item	D ₁	L ₁	CH
022741	A023 18 18	1/8"	21	12
022742	A023 14 14	1/4"	26	13
022743	A023 38 38	3/8"	30	17
022744	A023 12 12	1/2"	34	21
022745	A023 34 34	3/4"	36,5	-
022746	A023 01 01	1"	45	-
022747	A023 05 05	M5	11	9



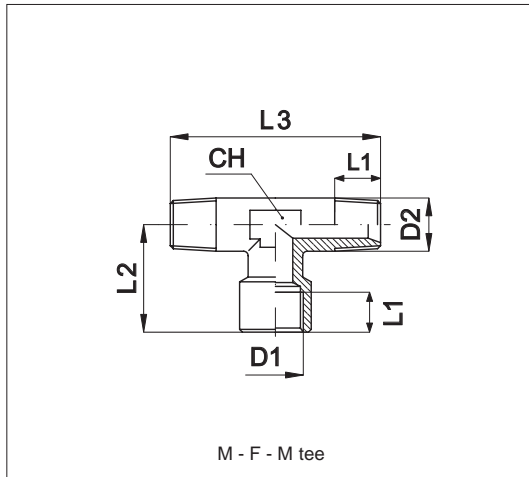
Code	Item	D ₁	D ₂	L ₁	L ₂	L ₃	CH
022751	A024 18 18	1/8"	1/8"	7,5	18	21	12
022752	A024 14 14	1/4"	1/4"	11	25	26	13
022753	A024 38 38	3/8"	3/8"	11,5	28	30	17
022754	A024 12 12	1/2"	1/2"	14	30	34	21
022755	A024 34 34	3/4"	3/4"	14,5	32	-	-
022756	A024 01 01	1"	1"	16,5	39	-	-
022757	A024 05 05	M5	M5	4	11,5	11	9



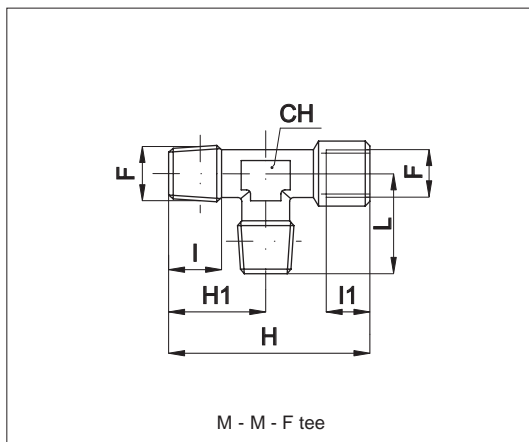
Code	Item	D ₁	D ₂	L ₁	L ₂	L ₃	L ₄	CH
022761	A025 18 18	1/8"	1/8"	7,5	18	21	39,5	12
022762	A025 14 14	1/4"	1/4"	11	25	26	48,5	13
022763	A025 38 38	3/8"	3/8"	11,5	28	30	53,5	17
022764	A025 12 12	1/2"	1/2"	14	30	34	63	21
022765	A025 34 34	3/4"	3/4"	14,5	-	36,5	68,5	-
022766	A025 01 01	1"	1"	16,5	-	45	84	-
022767	A025 05 05	M5	M5	4	11,5	11	22	9

Standard fittings series A

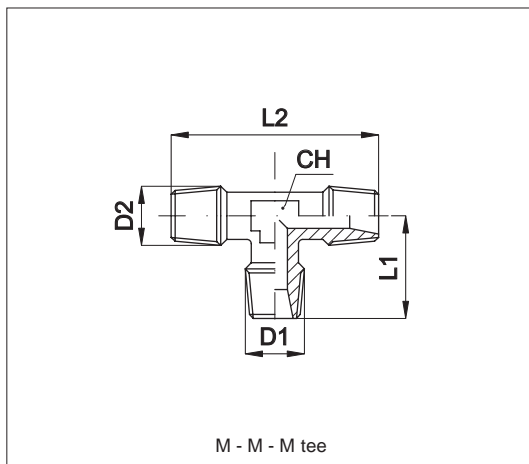
In nickel plated brass



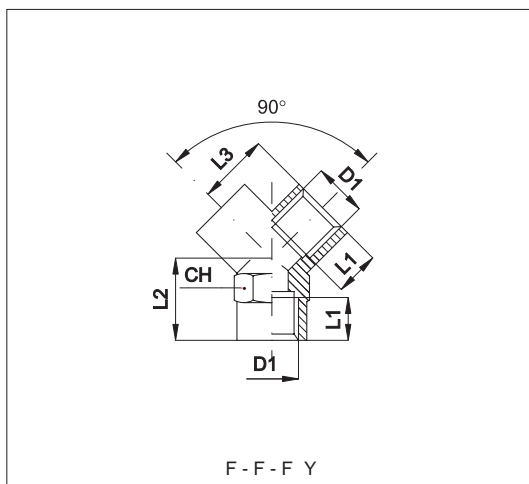
Code	Item	D ₁	D ₂	L ₁	L ₂	L ₃	CH
022901	A045 18 18	1/8"	1/8"	7,5	21	36	9
022902	A045 14 14	1/4"	1/4"	11	26	44	12
022903	A045 38 38	3/8"	3/8"	11,5	27	51	-
022904	A045 12 12	1/2"	1/2"	14	32	59	-
022905	A045 34 34	3/4"	3/4"	14,5	36,5	64	-
022906	A045 01 01	1"	1"	16,5	45	78	-



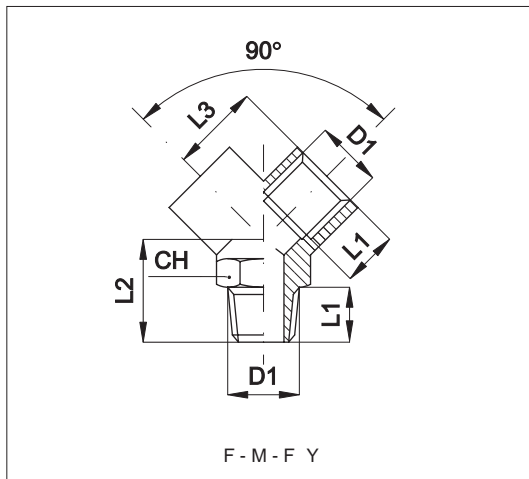
Code	Item	F	F ₁	I	I ₁	H	H ₁	L	CH
022815	A027 18 18	1/8"	1/8"	8	8	39,5	18,5	18,5	10
022816	A027 14 14	1/4"	1/4"	11	11	49	23,5	23,5	13
022817	A027 38 38	3/8"	3/8"	11,5	11,5	54	26	26	17
022818	A027 12 12	1/2"	1/2"	14	14	64,5	31	31	21
022819	A027 34 34	3/4"	3/4"	14,5	14,5	68,5	36,5	36,5	-



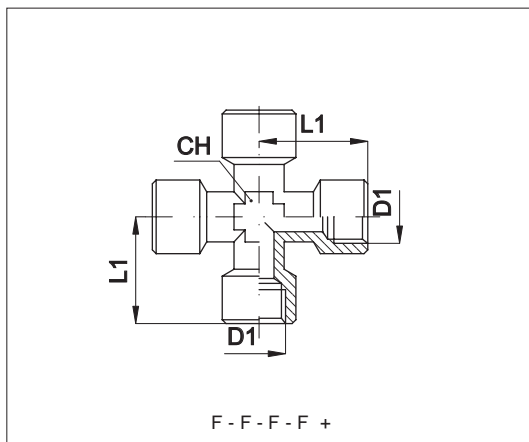
Code	Item	D ₁	D ₂	L ₁	L ₂	CH
022801	A036 18 18	1/8"	1/8"	18	36	9
022802	A036 14 14	1/4"	1/4"	22	44	12
022803	A036 38 38	3/8"	3/8"	26	52	15
022804	A036 12 12	1/2"	1/2"	30	60	17
022805	A036 34 34	3/4"	3/4"	32	64	-
022806	A036 01 01	1"	1"	39	78	-



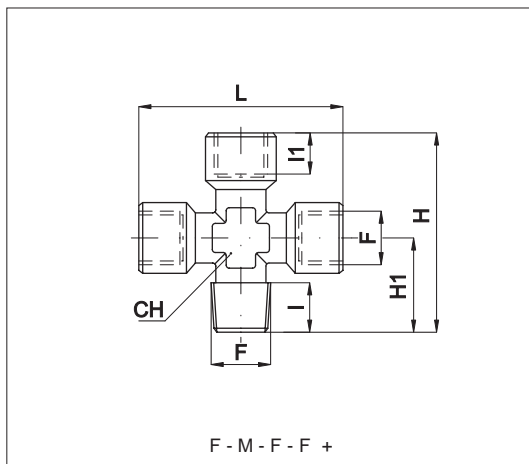
Code	Item	D ₁	L ₁	L ₂	L ₃	CH
022841	A040 18 18	1/8"	8	12	14	13
022842	A040 14 14	1/4"	11	14	17	17
022843	A040 38 38	3/8"	11,5	16	19	20
022844	A040 12 12	1/2"	14	19	24,5	25



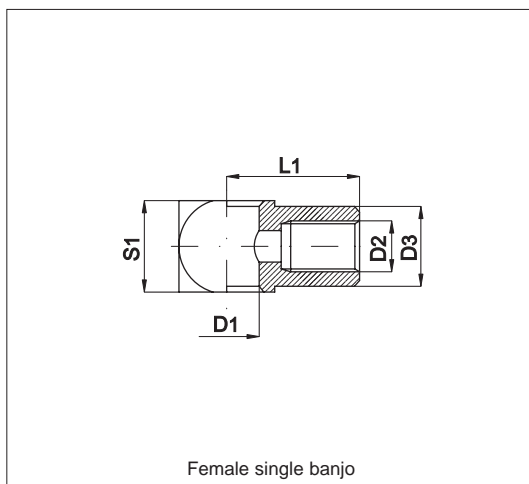
Code	Item	D ₁	L ₁	L ₂	L ₃	CH
022861	A041 18 18	1/8"	8	16	14	13
022862	A041 14 14	1/4"	11	20	17	17
022863	A041 38 38	3/8"	11,5	22	19	20
022864	A041 12 12	1/2"	14	27	24,5	25



Code	Item	D ₁	L ₁	CH
022771	A026 18 18	1/8"	21	12
022772	A026 14 14	1/4"	26	13
022773	A026 38 38	3/8"	30	17
022774	A026 12 12	1/2"	34	-



Code	Item	F	F ₁	I	I ₁	H	H ₁	L	CH
022891	A046 18 18	1/8"	1/8"	8	8	39,5	18,5	42	10
022892	A046 14 14	1/4"	1/4"	11	11	49	23,5	51	13
022893	A046 38 38	3/8"	3/8"	11,5	11,5	54	26	56	17
022894	A046 12 12	1/2"	1/2"	14	14	64,5	31	67	21

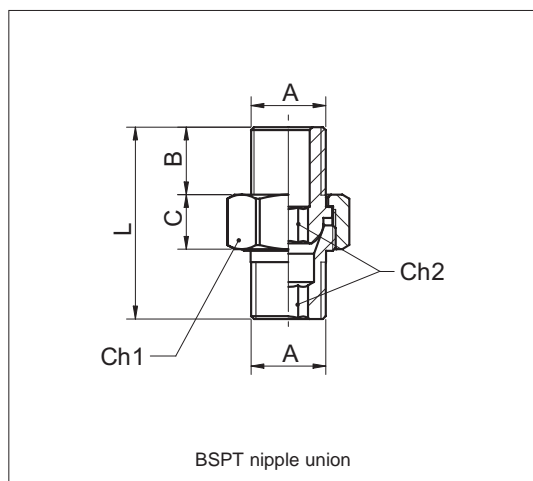


Code	Item	D ₁	D ₂	D ₃	L ₁	S ₁
022875	A042 05 05	5,1	M5	9	11	10
022871	A042 18 18	10	1/8"	14	17	15
022872	A042 14 14	13,2	1/4"	17	22	18
022873	A042 38 38	17	3/8"	20	26	20

For banjo bolts see page 4.2.8

Standard fittings series A

In nickel plated brass



Code	Item	A	B	C	L	CH ₁	CH ₂
023471	A047 18 18	1/8"	9	8,5	27	15	5
023472	A047 14 14	1/4"	12	9,5	33,5	19	6
023473	A047 38 38	3/8"	13	10,2	36,5	22	8
023474	A047 12 12	1/2"	16	12	44	27	12
023475	A047 34 34	3/4"	18	17	53	36	14
023476	A047 01 01	1"	22	20	64	46	19