

Version	Symbol	Type
With cross outlets		RX
With outlets on one side		RY
With outlets on both sides		RZ
With push-in fitting outlets on one side		RR

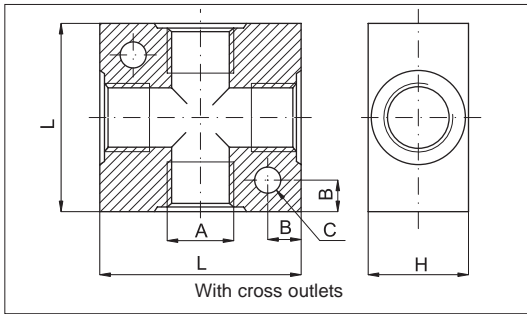


Series of anodised aluminium collectors available in various configurations and with female threaded outlets (1/8" and 1/4") or with integral 4- 6- 8- 10 mm push-in fittings.

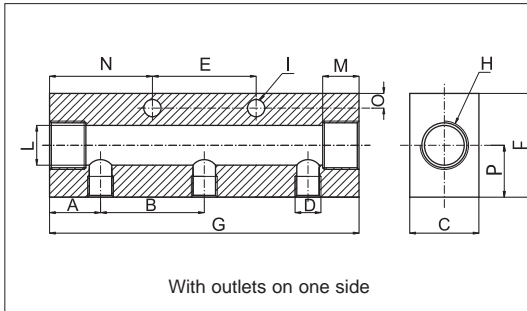
Standard connections		
Type	Inlets	Outlets
RX	1/8"	1/8"
	1/4"	1/4"
	3/8"	3/8"
	1/2"	1/2"
RY	1/4"	1/8"
	3/8"	1/4"
RZ	1/4"	1/8"
	3/8"	1/4"
RR	1/4"	Ø external 4 mm
	1/4"	Ø external 6 mm
	3/8"	Ø external 8 mm
	3/8"	Ø external 10 mm

For standard items, codes and dimensions see tables at page 4.60.2.

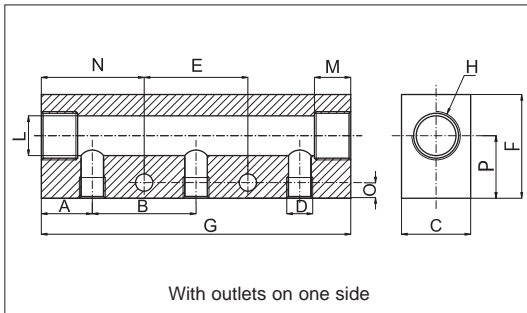
Technical data	
Fluid	Compressed air and other fluid
Pressure range	RX, RY, RZ: Always higher than the ones used in pneumatic installations. RR: max 12 bar.
Temperature range	See the data of the tubes and the fittings used.
Parallel threads	UNI - ISO 228/1 (BSP)
Connection tubes (per RR)	Calibrated nylon, polyurethane and rilsan
Tubes tolerances	± 0,05 mm
Materials	Body: Anodised aluminium For fittings data in the RR type see page 4.5.1.



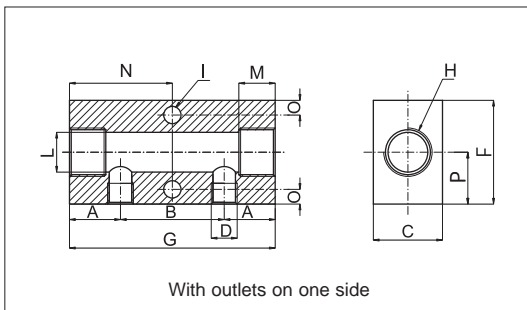
Code	Item	A	L	B	C	H
024501	RX8	1/8"	25	4,3	4,5	16
024502	RX4	1/4"	40	6,5	5,5	20
024503	RX3	3/8"	40	7,5	5,5	25
024504	RX2	1/2"	50	7,5	5,5	30



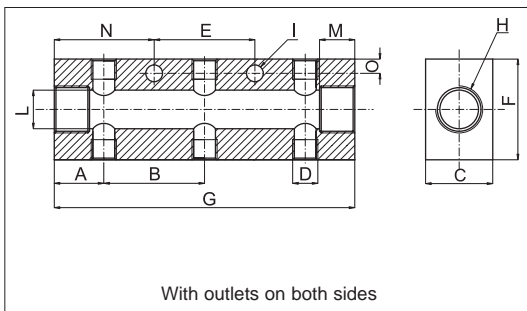
Code	Item	A	B	C	D	E	F	G	H	I	L	M	N	O	P	N° of side holes
024521	RY1	15	30	20	1/8"	30	30	90	1/4"	5,5	10	9,5	30	5	15	3
024522	RY2	15	30	20	1/8"	60	30	120	1/4"	5,5	10	9,5	30	5	15	4
024523	RY3	15	30	20	1/8"	90	30	150	1/4"	5,5	10	9,5	30	5	15	5
024524	RY4	15	30	20	1/8"	120	30	180	1/4"	5,5	10	9,5	30	5	15	6



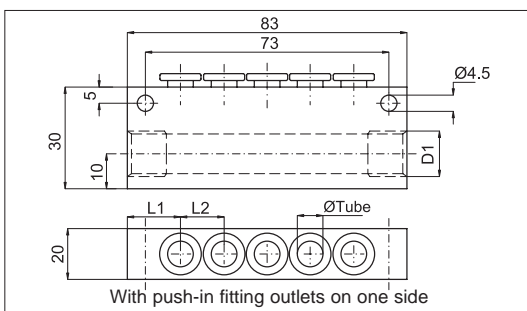
Code	Item	A	B	C	D	E	F	G	H	I	L	M	N	O	P	N° of side holes
024525	RY5	18	36	20	1/4"	36	30	108	3/8"	6,5	12	10,5	36	6	19	3
024526	RY6	18	36	20	1/4"	72	30	144	3/8"	6,5	12	10,5	36	6	19	4
024527	RY7	18	36	20	1/4"	108	30	180	3/8"	6,5	12	10,5	36	6	19	5
024528	RY8	18	36	20	1/4"	144	30	216	3/8"	6,5	12	10,5	36	6	19	6



Code	Item	A	B	C	D	F	G	H	I	L	M	N	O	P	N° of side holes
024529	RY9	15	30	20	1/8"	30	60	1/4"	6,5	10	9,5	30	6	15	2



Code	Item	A	B	C	D	E	F	G	H	I	L	M	N	O	N° of side holes
024551	RZ1	16	30	20	1/8"	0	30	62	1/4"	6,5	10	9,5	31	6	2+2
024552	RZ2	15	30	20	1/8"	30	30	90	1/4"	5,5	10	9,5	30	5	3+3
024553	RZ3	15	30	20	1/8"	60	30	120	1/4"	5,5	10	9,5	30	5	4+4
024554	RZ4	15	30	20	1/8"	90	30	150	1/4"	5,5	10	9,5	30	5	5+5
024555	RZ5	18	36	20	1/4"	28	40	72	3/8"	6,5	12	10,5	36	6	2+2
024556	RZ6	18	36	20	1/4"	36	40	108	3/8"	6,5	12	10,5	36	6	3+3
024557	RZ7	18	36	20	1/4"	72	40	144	3/8"	6,5	12	10,5	36	6	4+4
024558	RZ8	18	36	20	1/4"	108	40	180	3/8"	6,5	12	10,5	36	6	5+5



Code	Item	D <sub>1</sub>	L <sub>1</sub>	L <sub>2</sub>	Est. tube Ø	N° of outlets
024570	RR46	1/4"	14	11	4	6
024571	RR65	1/4"	15,5	13	6	5
024572	RR84	3/8"	17,5	16	8	4