

Version	Symbol	Type
With female thread for mounting the silencer		ASN
With manual adjustment and high flow		ASE
Manual shut off		AR



Threads	1/8"	1/4"	3/8"	1/2"
Code	18	14	38	12

Series of exhaust restrictors normally used to reduce the translation velocity of cylinders.

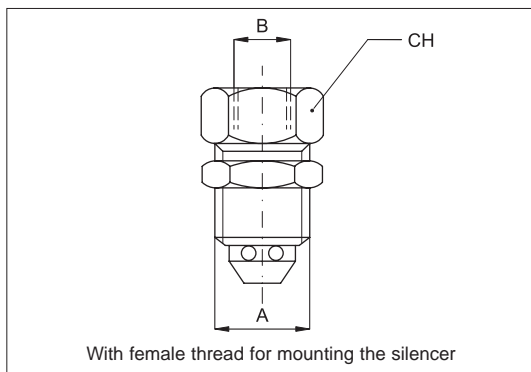
They are normally applied to valve exhausts or quick exhaust valves.

* How to order: ASE14

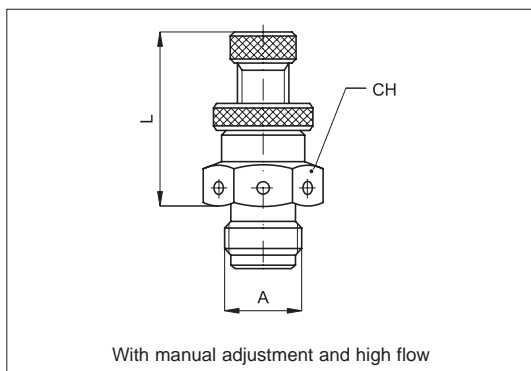
ASE	14
Type	Thread code

* For standard items, codes and dimensions see tables at page 4.80.82.

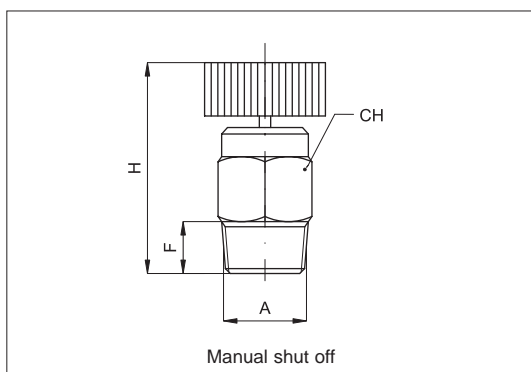
Technical data	
Fluid	Compressed air
Pressure range	0 ÷ 10 bar
Temperature range	-20 °C ÷ + 70°C
Parallel threads	UNI - ISO 228 / 1 (BSP)
Materials	Body: Nickel plated brass Needle: Nickel plated brass



Code	Item	A	B	C
023581	ASN1818	1/8"	1/8"	15
023582	ASN1418	1/4"	1/8"	19
023583	ASN3814	3/8"	1/4"	20
023584	ASN1214	1/2"	1/4"	20
023585	ASN1238	1/2"	3/8"	26



Code	Item	A	L	CH
023621	ASE18	1/8"	18	14
023622	ASE14	1/4"	22	17



Code	Item	A	F	H	CH
023633	AR18B	1/8"	8	28	14
023634	AR14B	1/4"	9	27	14
023635	AR38B	3/8"	9	24	17