

Accessories with integrated function

In-line pressure gauges



| Version | Symbol | Type |
|--|--------|------|
| In-line, with push-in fitting or with male thread on inlet and push-in fitting on outlet | | V51 |



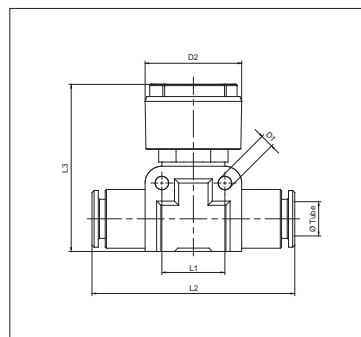
| | | |
|--------------------|----|----|
| External tube (mm) | 6 | 8 |
| Code | 06 | 08 |

| | | |
|---------|------|------|
| Threads | 1/8" | 1/4" |
| Code | 18 | 14 |

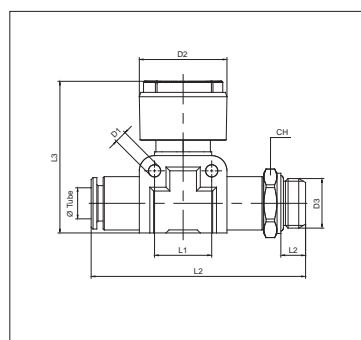
Series of in-line pressure gauges with reduced dimensions

How to order: V510618

| V51 | 06 | 18 |
|------|-----------|-------------|
| Type | Tube code | Thread code |



| Code | Item | Tube Ø | D ₁ | D ₂ | D ₃ | L ₁ | L ₂ | L ₃ | L ₄ | CH | gr. |
|--------|---------|--------|----------------|----------------|----------------|----------------|----------------|----------------|----------------|----|-----|
| 030174 | V510606 | 6 | 3,2 | 23 | - | 15 | 45 | 38 | - | - | 15 |
| 030177 | V510808 | 8 | 3,2 | 23 | - | 15 | 46 | 39,5 | - | - | 16 |



| Code | Item | Tube Ø | D ₁ | D ₂ | D ₃ | L ₁ | L ₂ | L ₃ | L ₄ | CH | gr. |
|--------|---------|--------|----------------|----------------|----------------|----------------|----------------|----------------|----------------|----|-----|
| 030175 | V510618 | 6 | 3,2 | 23 | G 1/8" | 15 | 52 | 38 | 5 | 13 | 21 |
| 030176 | V510614 | 6 | 3,2 | 23 | G 1/4" | 15 | 54 | 38 | 6,5 | 16 | 23 |
| 030178 | V510818 | 8 | 3,2 | 23 | G 1/8" | 15 | 53 | 39,5 | 5 | 14 | 23 |
| 030179 | V510814 | 8 | 3,2 | 23 | G 1/4" | 15 | 55 | 39,5 | 6,5 | 16 | 25 |

| Technical data | |
|-------------------|--|
| Fluid | Compressed air |
| Pressure range | 0 ÷ 10 bar |
| Temperature range | 0 °C ÷ + 70°C |
| Parallel threads | UNI - ISO 228 / 1 (BSP) |
| Connection tubes | Calibrated nylon, polyurethane and rilsan. |
| Tubes tolerances | ± 0,05 mm |
| Materials | Body: POM Thread: Nickel plated brass Collet: Stainless steel Gauge: ABS Seals: Nitrile rubber (NBR) |