

Accessories with integrated function

Stop valves



Version	Symbol	Code	Item
1/8" Unidirectional		030133	V450018U
1/4" Unidirectional		030123	V450014U
3/8" Unidirectional		030124	V450038U
1/2" Unidirectional		030134	V450012U
1/8" Bidirectional		030135	V450018B
1/4" Bidirectional		030136	V450014B
3/8" Bidirectional		030137	V450038B
1/2" Bidirezionale		030138	V450012B

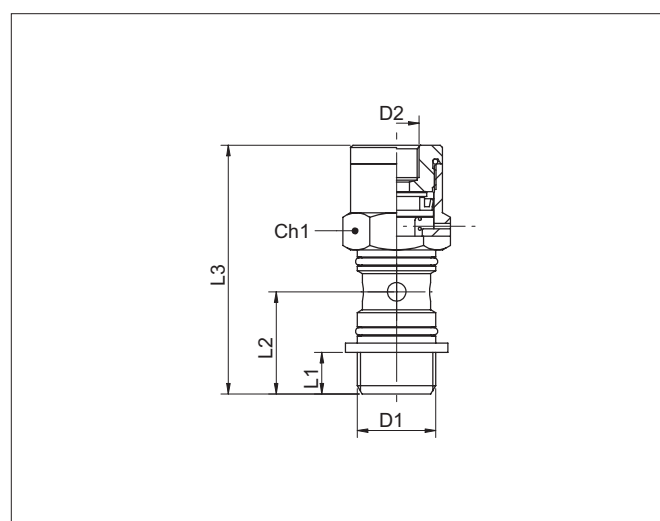


Series of stop valves available unidirectional and bidirectional versions.

If assembled on both cylinder connections, in case should a sudden pressure failure happen, these will immediately stop any movement of the piston.

Options	Suffix
With recessed push-button for manual override reset	K

Note: The banjo to couple to the valve have to be ordered separately (R35 - RT28 - C23 - O25)



Version	L ₁	L ₂	L ₃	D ₁	D ₂	CH ₁	CH ₂
1/8"	6	15,5	42	1/8	M5	13	8
1/4"	8	18,5	47	1/4	M5	17	8
3/8"	9	21	53,5	3/8	1/8	20	14
1/2"	10	24,5	60	1/2	1/8	25	14

Technical data							
Fluid	Compressed filtered air with or without lubrication						
Pressure range	max 10 bar						
Temperature range	-5 °C ÷ 70 °C						
Flow rate NI/min	Unidirectional	1/8" = 400	1/4" = 680	3/8" = 1300	1/2" = 2030		
	Bi-directional	1/8" = 630	1/4" = 930	3/8" = 2000	1/2" = 2500		
Materials	Body:	Nickel plated brass					
	Piston:	Stainless steel AISI 304					
	Spring:	Stainless steel AISI 302					
	Seals:	Nitrile rubber (NBR)					