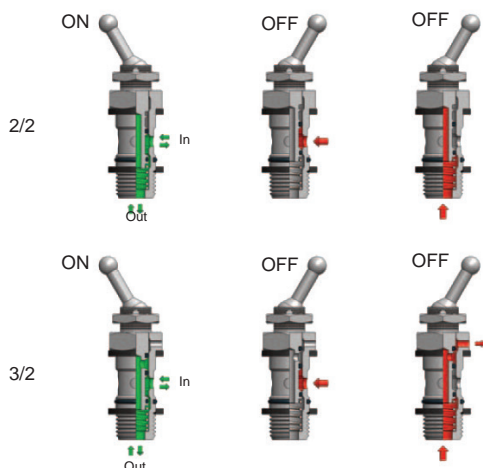


# Accessories with integrated function

## Pneumatic switch



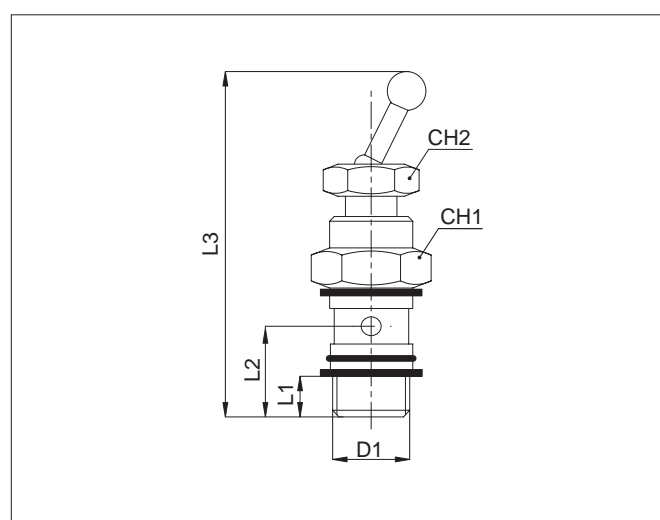
Version	Symbol	Code	Item
Switch 1/8", 2 way		030125	V4600182V
Switch 1/4", 2 way		030165	V4600142V
Switch 1/8", 3 way		030166	V4600183V
Switch 1/4", 3 way		030167	V4600143V



The V46 is a pneumatic switch. It is available in a 2/2 and 3/2-way version.

The goal of the 2/2 way switch is to cut off the flow in the circuit whenever needed by simply operating the lever. The 3/2 way valve cuts off the flow and vents to atmosphere the terminal part of the circuit.

Note: The banjo to couple to the valve have to be ordered separately (R35 - RT28 - C23 - O25)



Version	L <sub>1</sub>	L <sub>2</sub>	L <sub>3</sub>	CH <sub>1</sub>	CH <sub>2</sub>
1/8"	6	16	55	14	15
1/4"	8	19	60	17	15

Technical data	
Fluid	Compressed air
Pressure range	Max. 15 bar
Temperature range	-10 °C ÷ + 70°C
Parallel threads	UNI - ISO 228 / 1 (BSPT)
Flow rate at 6 bar (NI/min)	1/8" = 610 - 1/4" = 850
Tubes tolerances	± 0,05 mm
Materials	Body: Nickel plated brass Spring: Stainless steel AISI 302 Washers: Nylon (PA6) Seals: Nitrile rubber (NBR)