

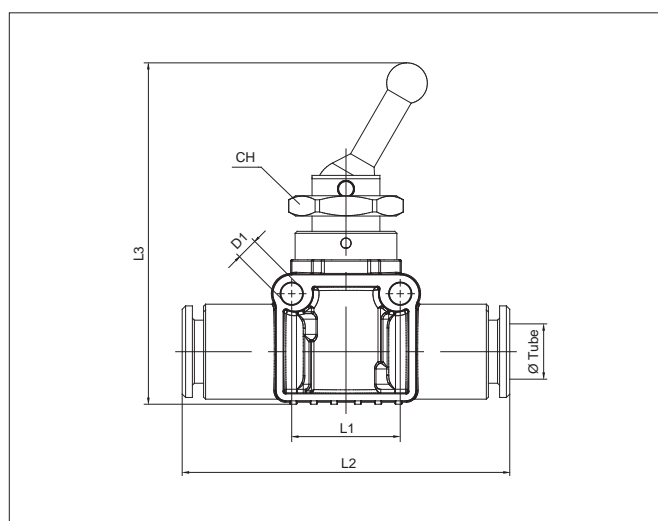
Version	Symbol	Code	Item
Switch for Ø 6 mm tube, 2 way		030172	V4800062V
Switch for Ø 8 mm tube, 2 way		030173	V4800082V
Switch for Ø 6 mm tube, 3 way		030164	V4800063V
Switch for Ø 8 mm tube, 3 way		030163	V4800083V

New



The V48 is a pneumatic switch. It is available in a 2/2 and 3/2-way version.

The goal of the 2/2 way switch is to cut off the flow in the circuit whenever needed by simply operating the lever. The 3/2 way valve cuts off the flow and vents to atmosphere the terminal part of the circuit.



Version	D ₁	L ₁	L ₂	L ₃	CH
Ø 6	3,2	16	45	49	15
Ø 8	3,2	16	46	50	15

Technical data	
Fluid	Compressed air
Pressure range	Max. 15 bar
Temperature range	-10 °C ÷ + 70°C
Flow rate at 6 bar (NI/min)	1/8" = 610 - 1/4" = 850
Tubes tolerances	± 0,05 mm
Washers	Body: POM Spring: Stainless steel AISI 302 Switch: Nickel plated brass Seals: Nitrile rubber (NBR)