

Version	Symbol	Type
Truncated cone		AC
Truncated cone with wrench in top		ACQ
Truncated cone with hex. key on nipple		AE
Extended truncated cone with hex. key on nipple		AEA
Truncated cone with hex. key on copper plated steel nipple		AEB
Truncated cone with slot cut fully sintered bronze		ACT
Flat filter and hex. key on nipple		AEP
Stainless steel mesh filter hex. key on nipple		AFE
Flat insert		AP
Cylindrical		AT
Cylindrical with slot cut		ATT
Truncated cone push-in		ACI



Series of silencers with metal nipple and 36 micron sintered bronze filter element.

They can be applied to valve exhausts to reduce noise level.

* How to order: ACQ14N

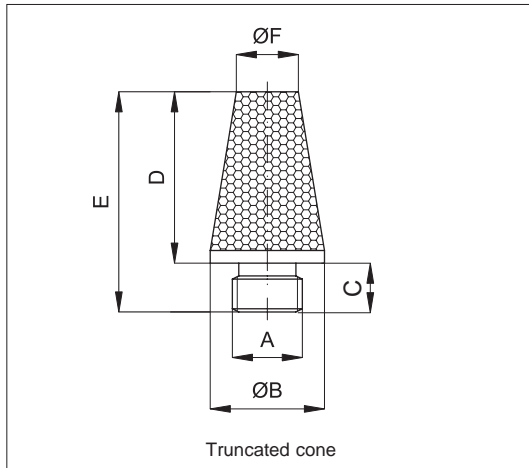
ACQ	14	N
Type	Thread code	Option code

* For standard items, codes and dimensions see tables from page 4.85.12.

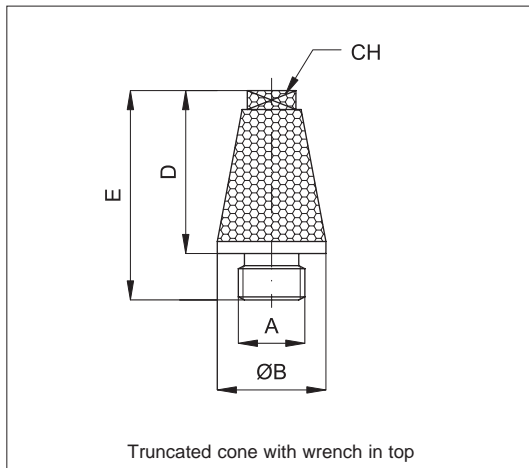
Options	Suffix
Completely nickel plated	N

Threads	M5	1/8"	1/4"	3/8"	1/2"	3/4"	1"
Code	M5	18	14	38	12	34	01

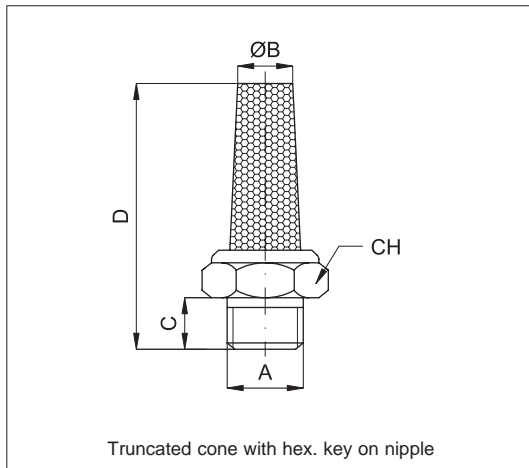
Technical data	
Fluid	Compressed air
Pressure range	0 ÷ 12 bar
Temperature range	-10 °C ÷ + 80°C
Parallel threads	UNI - ISO 228 / 1 (BSP)
Metric threads	ISO R / 262
Materials	Filter element: Sintered spherical bronze (AFE with sintered stainless steel AISI 304 net) Nipple: Brass (AEB in copper plated steel) Filter degree: 36 micron



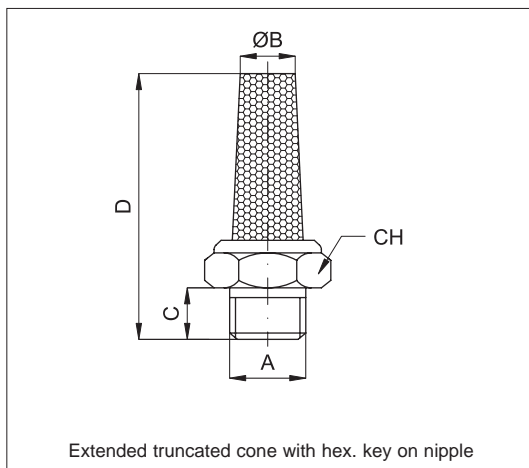
Code	Item	A	B	F	C	D	E
010031	AC18	1/8"	12	8	6	15	21
010032	AC14	1/4"	15	11	6	19	25
010033	AC38	3/8"	19	15	8	30	36
010034	AC12	1/2"	23	18	10	32	43
010035	AC34	3/4"	31	23	13	32.5	53
010036	AC01	1"	37	32,5	12	40,5	52,5
010037	ACM5	5MA	6	5	4,5	9,5	13



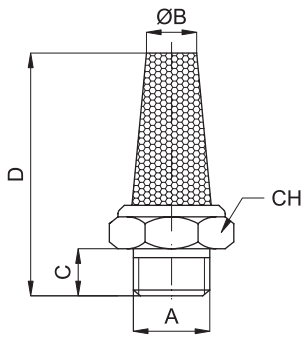
Code	Item	A	B	CH	C	D	E
010051	ACQ18	1/8"	12	7	6	15	21
010052	ACQ14	1/4"	15	9	6	19	25
010053	ACQ38	3/8"	19	10	8	28	37
010054	ACQ12	1/2"	23	14	10	33	41
010055	ACQ34	3/4"	31	20	13	40	51
010056	ACQ01	1"	37	23	15	48	60
010057	ACQM5	5MA	12	7	6	15	19



Code	Item	A	B	CH	C	D
010121	AE18	1/8"	8	13	6	28
010122	AE14	1/4"	9	16	8	32
010123	AE38	3/8"	12	19	7,5	41
010124	AE12	1/2"	16	24	10	46,5
010125	AE34	3/4"	20	30	10	50
010126	AE01	1"	21	36	10,5	60
010127	AEM5	5MA	4,5	8	4	16
010128	AE18F	1/8"F	7	13	6	28

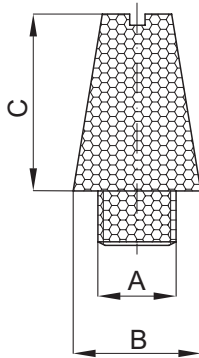


Code	Item	A	B	CH	C	D
010161	AEA18	1/8"	7	13	6	41,5
010162	AEA14	1/4"	8	16	8	52
010163	AEA38	3/8"	10	19	7,5	56
010164	AEA12	1/2"	14	24	10	67
010165	AEA34	3/4"	17	30	10	70
010166	AEA01	1"	20	36	10,5	78
010167	AEAM5	5MA	4	8	4	24
010168	AEA18F	1/8"F	7	13	6	41,5
010169	AEA21	1 1/2"	-	55	20	140
010170	AEA20	2"	-	65	17	213



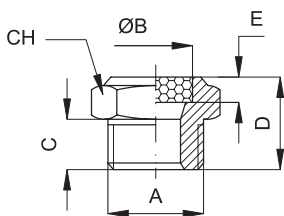
Truncated cone with hex.
key on copper plated steel nipple

Code	Item	A	B	CH	C	D
010141	AEB18	1/8"	8,5	12	4,5	21
010142	AEB14	1/4"	11	15	6	27
010143	AEB38	3/8"	14	19	7	35
010144	AEB12	1/2"	17	23	8	43
010145	AEB34	3/4"	21	30	9	54
010146	AEB01	1"	26,5	36	11	67
010147	AEBM5	5MA	4,5	7	4	18



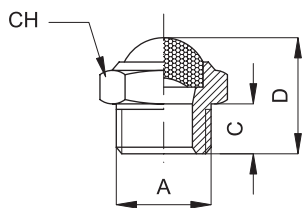
Truncated cone with slot cut, fully sintered bronze

Code	Item	A	B	C
010265	ACT18	1/8"	11	15.5
010266	ACT14	1/4"	14	18.5
010262	ACT38	3/8"	18	25
010263	ACT12	1/2"	24	33
010264	ACT34	3/4"	29.5	53
010261	ACT01	1"	35.5	60



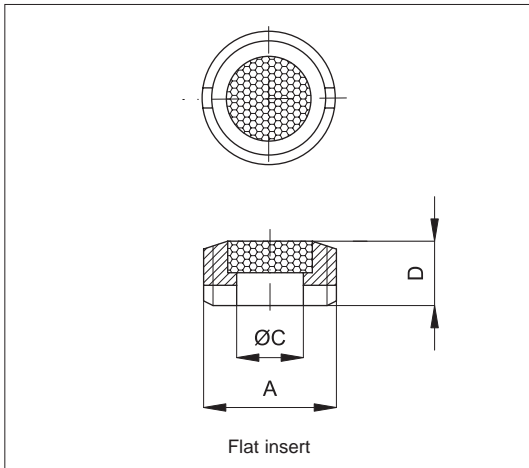
Flat filter and hex. key on nipple

Code	Item	A	CH	C	D
010091	AEP18	1/8"	13	6	13
010092	AEP14	1/4"	16	8	17
010093	AEP38	3/8"	19	7,5	17
010094	AEP12	1/2"	24	10	19
010095	AEP34	3/4"	30	10	19
010096	AEP01	1"	36	10,5	20
010097	AEPM5	5MA	8	4	9
010098	AEP18F	1/8"F	14	6	20

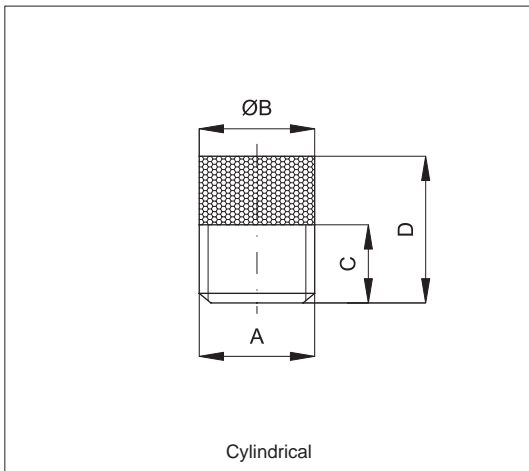


Stainless steel mesh filter, hex. key on nipple

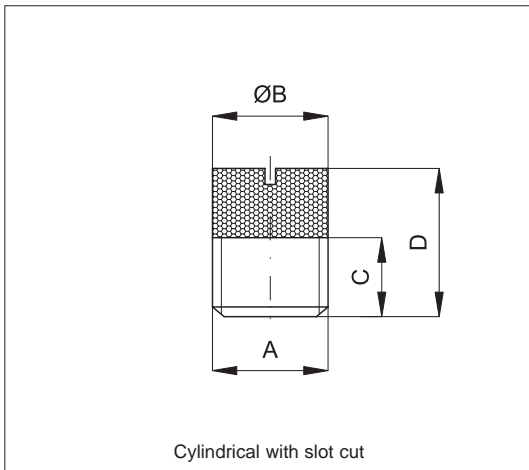
Code	Item	A	CH	C	D
010311	AFE18	1/8"	13	6	16
010312	AFE14	1/4"	16	8	19
010313	AFE38	3/8"	19	7,5	19
010314	AFE12	1/2"	24	10	23
010315	AFE34	3/4"	30	10	25
010316	AFE01	1"	36	10,5	29
010317	AFEM5	5MA	8	4	9
010318	AFE18F	1/8"F	14	6	20



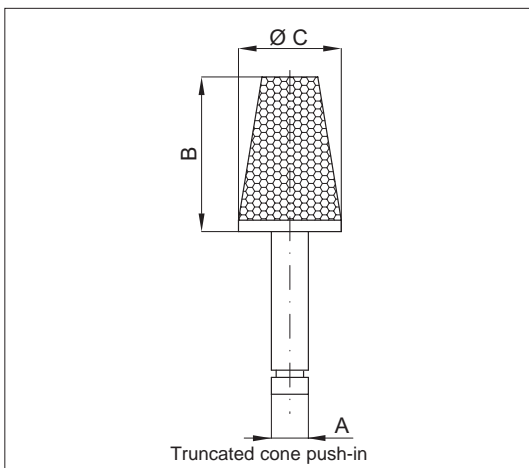
Code	Item	A	C	D
010251	AP18	1/8"	6	4,5
010252	AP14	1/4"	8	6,5
010253	AP38	3/8"	9,5	7
010254	AP12	1/2"	12,5	8,5
010255	AP34	3/4"	19	8,5
010256	AP01	1"	24	10



Code	Item	A	B	C	D
010211	AT18	1/8"	10	4	10
010212	AT14	1/4"	13	7	15
010213	AT38	3/8"	17	7	15



Code	Item	A	B	C	D
010231	ATT18	1/8"	10	4	10
010232	ATT14	1/4"	13	7	15
010233	ATT38	3/8"	17	7	15
010234	ATT12	1/2"	25	10	18
010235	ATT34	3/4"	32	13	22
010236	ATT01	1"	39	14	25



Code	Item	A	B	C
010290	ACI04	4	13.7	10
010291	ACI06	6	16.4	13
010292	ACI08	8	24.4	17