

Version	Symbol	Type
Metal silencers for presses		M
For presses reduced sizes		MI



Series of metal silencers particularly suitable for exhausts in big plants and this thanks to their high flow and noise reduction. They are normally used for presses.

\* How to order: M12/40

Options	Suffix
Till 40 bar (only for M series)	<b>/40</b>

M	12	/ 40
Type	Thread code	Option

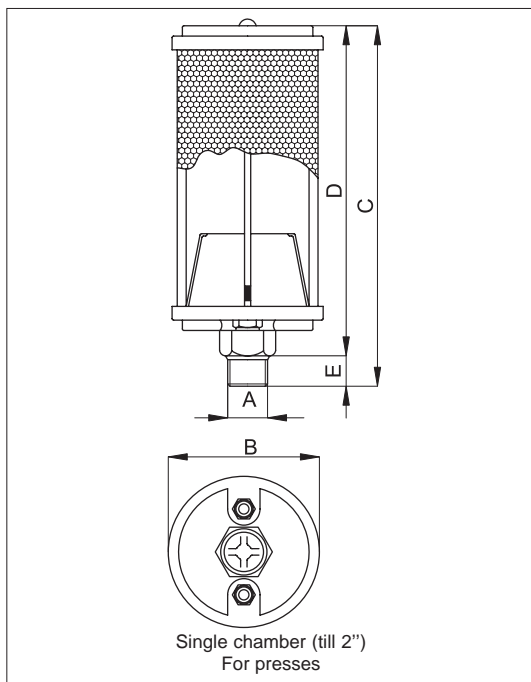
\* For standard items, codes and dimensions see tables at page 4.85.22.

Threads	1/8"	1/4"	3/8"	1/2"	3/4"	1"	1 1/4"	1 1/2"	2"	3"	4"	6"
Code	01	02	00	05	07	10	12	15	20	30	40	60

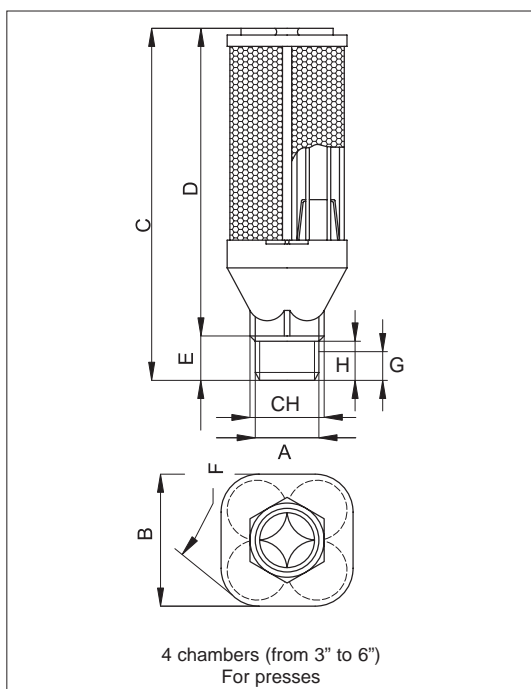
Flows at 6 bar (Type M)												
Threads	1/8"	1/4"	3/8"	1/2"	3/4"	1"	1 1/4"	1 1/2"	2"	3"	4"	6"
l/min	1.553	3.105	6.210	9.035	19.760	28.230	45.168	73.398	118.600	254.000	508.000	1.130.000

Spare cartridges can be supplied upon request.

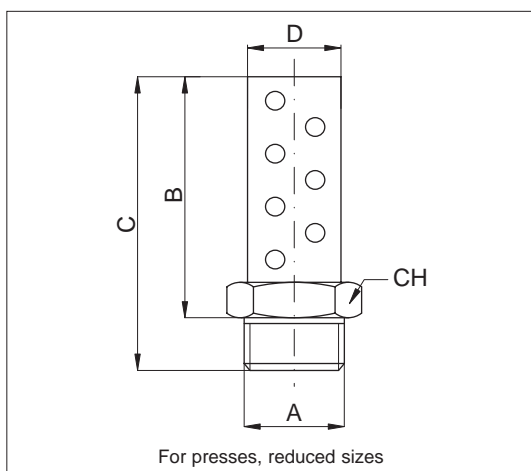
Technical data	
Fluid	Compressed air
Pressure range	M series: 0 ÷ 10 bar MI series: 0 ÷ 12 bar
Temperature range	M series: -25 °C ÷ + 100°C MI series: 0 °C ÷ + 70°C
Taper threads	M series: BSP - NPTF MI series: BSPT
Materials	Body: Aluminium (M) - Zinc plated steel (MI) Tie rods: Steel (M) Cartridge: Noise absorbing fibre coated by metal drilled plate (M) - Stainless steel (MI)



Code	Item	A	B	C	D	E
011001	M01	1/8"	49	80	70	10
011002	M02	1/4"	49	106	93	13
011003	M00	3/8"	70	126	113	13
011004	M05	1/2"	86	146	132	13
011005	M07	3/4"	89	179	162	17
011006	M10	1"	103	212	192	20
011007	M12	1 1/4"	103	219	192	26
011008	M15	1 1/2"	136	351	318	33
011009	M20	2"	136	484	450	33



Code	Item	A	B	C	D	E	F	G	CH	M
011501	M30	3"	175	588	537	51	209	33	93	35
011502	M40	4"								
011503	M60	6"	268	790	727	63	335	39	172	42,5



Code	Item	A	B	CH	C	D
011040	MI01	1/8"	28	11	35	11
011041	MI02	1/4"	33	14	44	14
011042	MI00	3/8"	43	18	56	17,5
011043	MI05	1/2"	52	22	68	22
011044	MI07	3/4"	64	27	81	27
011045	MI10	1"	76	33	98	33
011046	MI12	1-1/4"	90	46	113	42
011047	MI15	1-1/2"	100,6	50	124,2	50
011048	MI20	2"	114,7	60	141,2	60