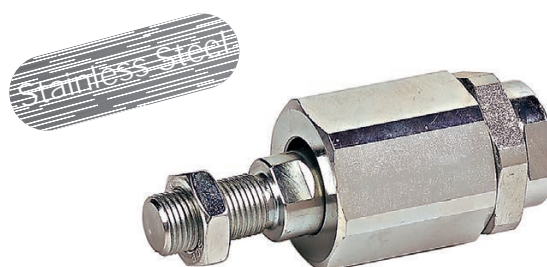


Mounting Accessories for Stainless Steel Cylinders

Bearings - Self-aligned articulated couplings



Standard executions		
Version	Symbol	Type
Axial		GBX



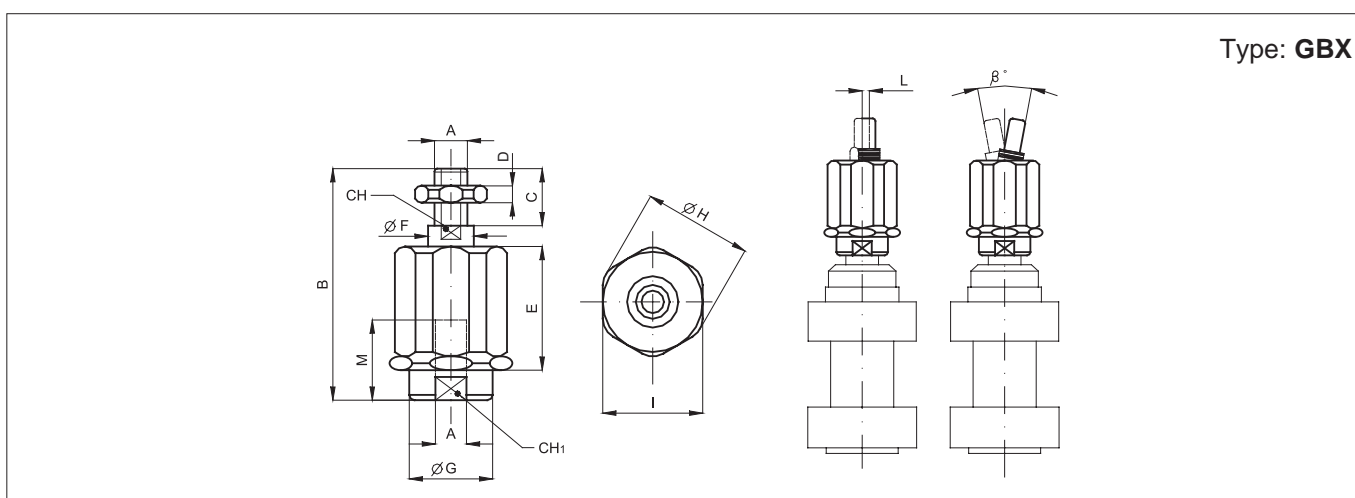
Axial self-aligned articulated couplings mounted on the cylinder rod.

They are fit for applications with high tractions and allow to compensate the angular and parallel misalignments.

They are provided with hexagonal nut in the standard version.

Options	Suffix
Special versions on request	/ S

Technical data	
Material	Stainless Steel AISI 303



Code	Item	For cylin. ISO Ø mm	A	B	C	D	E	F	G	H	I	L	M	CH	β°	CH ₁	Maximum load (N) in thrust and traction	Weight (g)
041734	GBX008	8-10	M4x0,7	33	8	2,2	15,5	6	8,5	14,5	12	1	10	3,2	10	12	750	20
041735	GBX010	12-16	M6x1	39	12	3,2	17,5	6	8,5	14,5	13	1	10	5	10	7	1200	23
041736	GBX020	20	M8x1,25	55	16	4	24,5	8	12,5	19	17	2	20	7	10	10	2500	60
041737	GBX040	25-32	M10x1,25	73	20	5	34	14	21	32	30	2	20	12	10	19	5000	230
041738	GBX060	40	M12x1,25	77	24	6	34	14	21	32	30	2	20	12	10	19	5000	230
041739	GBX100	50-63	M16x1,5	108	32	8	54	22	33,5	45	41	2	32	19	10	30	10000	650
041721	GBX120	80-100	M20x1,5	122	40	9	54	22	33,5	45	41	2	40	19	10	30	10000	710
041740	GBX130	125	M27x2	147	54	13,5	71	-	59	60	55	-	40	24	-	32	-	1600

* For cylinders not conforming to standards.