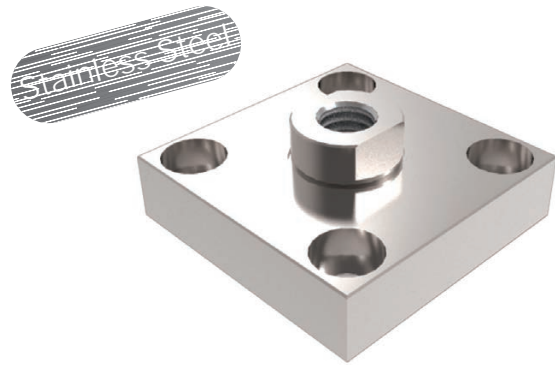


# Mounting Accessories for Stainless Steel Cylinders

## Self-aligned articulated couplings



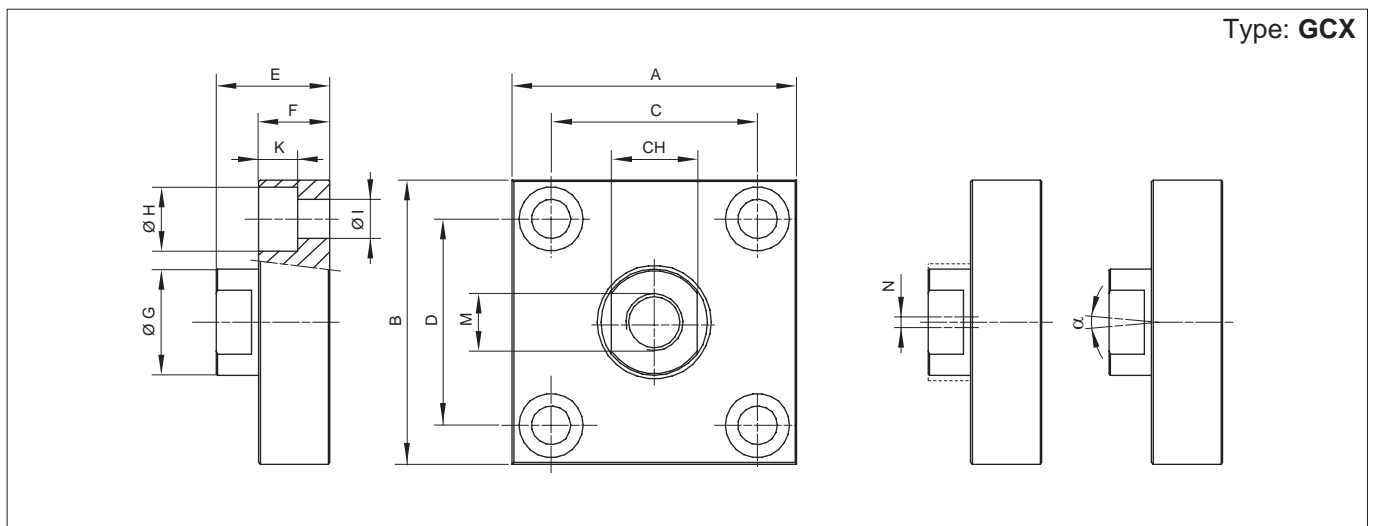
Standard executions		
Version	Symbol	Type
Self-aligned articulated couplings		GCX



Axial self-aligned articulated couplings mounted on the cylinder rod.  
They are suitable for applications with high tractions and allow to compensate the angular and parallel misalignments.

Options	Suffix
Special version on request	/ S

Technical data	
Material	Stainless Steel AISI 303



Code	Item	A	B	C	D	CH	E	F	Ø G	Ø H	Ø I	K	M	N	$\alpha$	Weight (g)
041728	GCXM10x1,25	60	37	36 ±0,15	23 ±0,15	17	24	15	20	11	6,6	7	M10x1,25	2	0,4÷0,8	0,3
041729	GCXM12x1,25	60	56	42 ±0,2	38 ±0,2	19	30	20	25	15	9	9	M12x1,25	2	0,4÷0,8	0,4
041730	GCXM16x1,5	80	80	58 ±0,2	58 ±0,2	24	32	20	30	18	11	11	M16x1,5	2	0,4÷0,8	0,9
041731	GCXM20x1,5	90	90	65 ±0,2	65 ±0,2	36	35	20	40	20	14	13	M20x1,5	2	0,4÷0,8	1,1
041732	GCXM27x2	90	90	65 ±0,2	65 ±0,2	36	35	20	40	20	14	13	M27x2	2	0,4÷0,8	1,1
041733	GCXM36x2	125	125	90 ±0,2	90 ±0,2	50	55	30	60	26	18	17	M36x2	3	0,4÷0,95	3,4