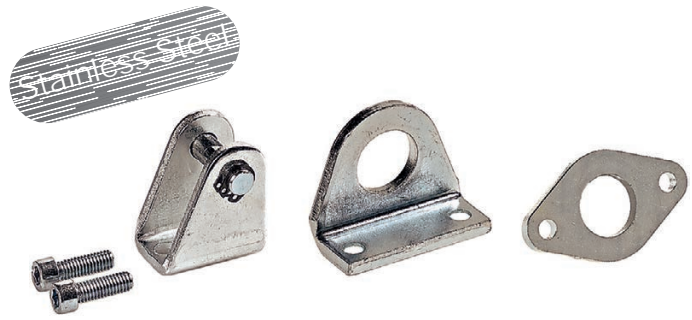


# Mounting Accessories for Stainless Steel Cylinders

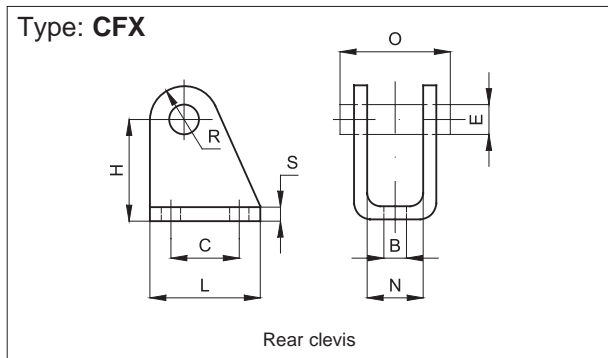
## Mountings for ISO 6432



Standard executions		
Version	Symbol	Type
Rear clevis (with pin)		CFX
Foot		PX
Flange		FX

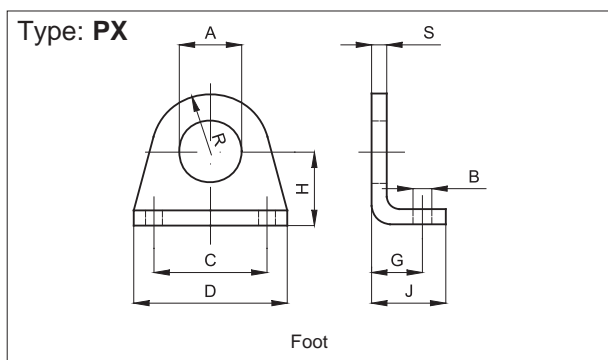


Technical data	
Material	Stainless Steel AISI 304

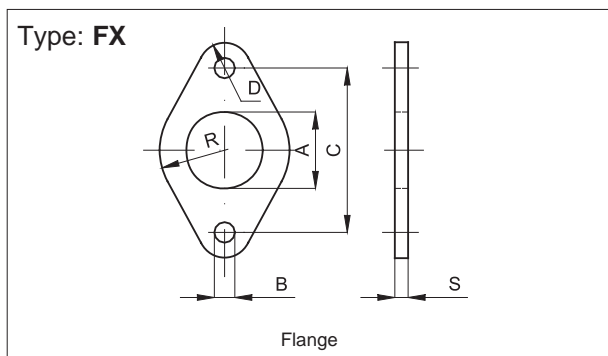


Code	Item	For cyl. ø mm	B	E	C	H	L	N	O	R	S	Weight (g)
040046	CFX12-16	16	5,5	6	15	27	25	12,1	24	7	3	36
040047	CFX20-25	20-25	6,5	8	20	30	32	16,1	31	10	4	78

Complete with a pin and 2 seegers in the standard version.



Code	Item	For cyl. ø mm	A	B	C	D	G	H	J	R	S	Weight (g)
040026	PX12-16	16	16,1	5,5	32	42	14	20	20	13	4	40
040027	PX20-25	20-25	22,1	6,6	40	54	17	25	25	20	5	90



Code	Item	For cyl. ø mm	A	B	C	R	D	S	Weight (g)
040006	FX12-16	16	16	5,5	40	15	6	4	26
040007	FX20-25	20-25	22	6,6	50	20	8	5	50