

Mounting Accessories for Stainless Steel Cylinders

Mounting for round cylinders



Standard executions		
Version	Symbol	Type
Rear clevis (with pin)		CFX..AQM
Foot flange		PX..AQM
Heads nut		GHX..AQM
Pins		SECX..AQM



Technical data	
Materials	Body: Stainless steel AISI 304 Bushes: DELRIN

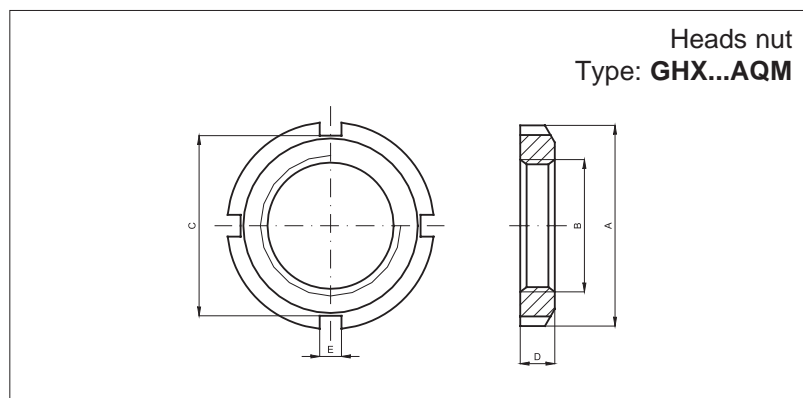
Rear clevis
Type: **CFX..AQM**

Kit provided with two pins

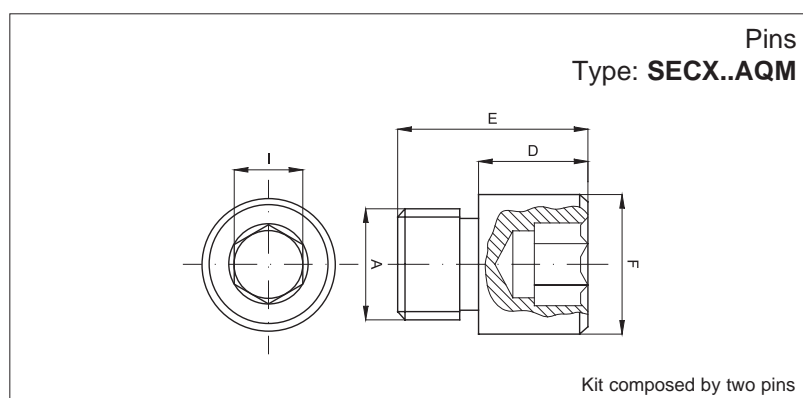
Code	Item	Ø mm	A	A ₁	A ₂	A ₃	B	C	D	E	F	G	G ₁	H	H ₁	H ₂	H ₃	H ₄	CH	I	L	P	Q
040113	CFX32AQM	32	40	18	6	6	24	20	20	35	38,1	4	4	12	10	M8x1	12	10	13	7	8	12	4
040111	CFX40AQM	40	50	21,6	7	7	30	28	27	40	46,1	5	5	15	12	M10x1	15	12	17	9	10	13	5
040139	CFX50AQM	50	54	26,4	9	8,5	34	36	30	45	57,1	6	6	18	14	M12x1,5	20	14	19	9	10	14	6
040031	CFX63AQM	63	65	33,5	13	8,5	35	42	34	50	70,1	6	6	20	16	M14x1,5	23	16	19	9	15	16	6

Foot flange
Type: **PX..AQM**

Code	Item	Ø mm	A	B	C	D	E	F	G	H	I	Ø L	Ø M	Ø N	P	Q	R
040119	PX32AQM	32	66	49	21	4	52	14	28	14	28	30	7	7	7	4	2
040120	PX40AQM	40	80	58	30	5	60	18	30	20	33	38	9	9	10	5	2
040137	PX50AQM	50	90	70	30	6	70	20	40	20	40	45	9	9	10	6	2
040138	PX63AQM	63	96	80	30	6	76	20	50	20	45	45	9	9	10	6	2



Code	Item	Ø mm	A	B	C	D	E
040069	GHX32AQM	32	Ø 45	M30x1,5	40	7	5
040187	GHX40AQM	40	Ø 50	M38x1,5	46	8	5
040188	GHX50/63AQM	50/63	Ø 58	M45x1,5	52	9	6



Code	Item	Ø mm	A	D	E	F	I
040174	SECX32AQM	32	M8x1	8	14	Ø 10	5
040175	SECX40AQM	40	M10x1	9,5	16,5	Ø 12	6
040176	SECX50AQM	50	M12x1,5	11	20	Ø 14	6
040177	SECX63AQM	63	M14x1,5	13	28	Ø 16	8