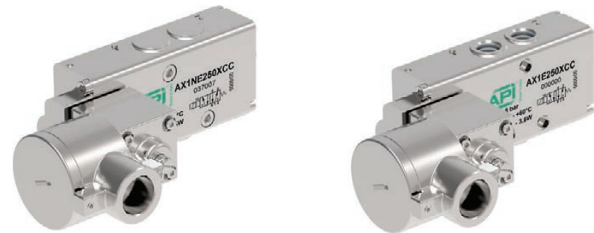


# Valves series AX1 - Flameproof coil Ex db

1/4", 3/2 - 5/2 - 5/3, IN LINE and NAMUR interface, electrically operated Ex db



Standard executions		
Version	Symbol	Code
3/2 NC		For code key see the table below
3/2 NO		
3/2 solenoid/solenoid		
5/2 solenoid/spring		
5/2 solenoid/solenoid		
5/2 solenoid/solenoid differential		
5/3 closed centres		
5/3 open centres		
5/3 pressurised centres		

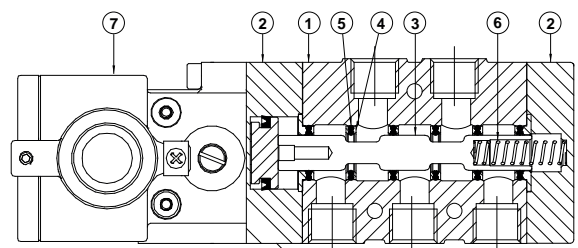


New series of "AX" valves with functions 3/2 - 5/2 - 5/3 connection in line on the body or NAMUR. Electric and electric servo pilot. They are manufactured in AISI 316L stainless steel, especially suitable in the food, chemical, pharmaceutical, Oil & Gas and mining industry. AX valves are manufactured according to 2014/34/EU Directive to be used in potentially explosive environment. Flameproof solenoid operator is used extensively to prevent possible overheating or sparking of electrical equipment causing ignition in an potentially explosive atmosphere. Flameproof solenoid operator is equipped with a robust enclosure which will contain an explosion in case should it occur. All construction joints in the enclosure are known as flame paths which prevent the transmission of a flame from within the enclosure to the external atmosphere.

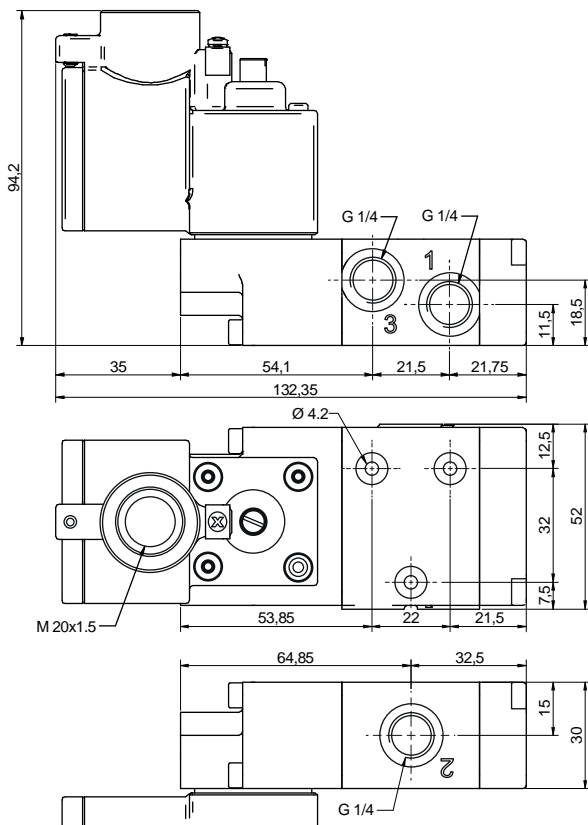


Code key					
Series	Actuation	Size	Function	Hazardous areas	Voltages
AX1 = Standard AXX1* = Completely in stainless steel AX1N = NAMUR AXX1N* = NAMUR Completely in stainless steel	E = electrical Ø9	2 = 1/4 Gas 2N = 1/4 NPT	30 = 3/2 NC 31 = 3/2 NO 32 = 3/2 solenoid/solenoid 50 = 5/2 solenoid/spring 51 = 5/2 solenoid/solenoid 52 = 5/2 solenoid/solenoid differential 70 = 5/3 CC 71 = 5/3 OC 72 = 5/3 PC	XC = II 2G Ex db IIC T6 Gb	B = 12 VDC C = 24 VDC * F = 24 VAC * I = 110 VAC * M = 120 VAC * O = 220 VAC * Q = 240 VAC
* On request					* = Standard voltages

Technical data									
Fluid		Compressed filtered air with or without lubrication. Lubrication, if started, must be continued.							
Threaded connection		1/4 Gas - 1/4 NPT							
Pressure range		Spring return: 2,5 ÷ 8 bar		Bistable: 2 ÷ 8 bar		3 positions: 2,5 ÷ 8 bar			
Temperature range		-20°C ÷ +60°C							
Protection grade		-							
Ø Orifice		8 mm							
Flow		1.100 NI/min at 6 bar with ΔP 1 bar							
Mounting		In any position (vertical assembly is not recommended for bistable valves subjected to vibration)							
Manual override		Bistable							
Electrical characteristic	Nominal voltage	12 VDC	24 VDC	24 VAC	110 VAC	120 VAC	220 VAC	240 VAC	
	Frequency	-	-	50 / 60 Hz	50 / 60 Hz	50 / 60 Hz	50 / 60 Hz	50 / 60 Hz	
	Nominal current								
	Nominal power	3.5 W	3.5 W	4 VA	4 VA	4 VA	4 VA	4 VA	
	Duty cycle	100% ED							
	Temp. class	T6							
Response time (at 6 bar)		Energising: - ms		Energising: - ms		Energising: - ms			
		De-energising: - ms		De-energising: - ms		De-energising: - ms			
Materials	(1) Body:	Stainless steel AISI 316L							
	(2) Cover:	Stainless steel AISI 316L							
	(3) Spool:	Hard aluminium anodized (AX series) Stainless steel AISI 316 (AXX series)							
	(4) Distancers:	Ixef 1022 (AX series) Stainless steel AISI 316 (AXX series)							
	(5) Seals:	Hydrogenate Nitrile Butadine Rubber (HNBR)							
	(6) Spring	Stainless steel							
	(7) Operator:	Stainless steel AISI 316L							

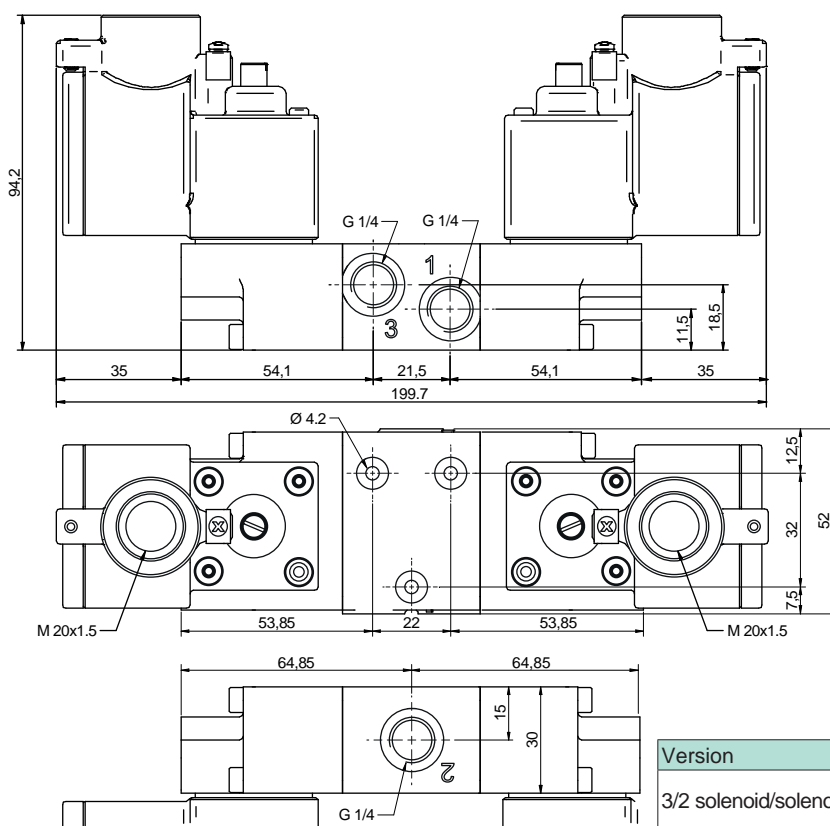


Valves series AX1 - Flameproof coil Ex db  
 1/4", 3/2 - 5/2 - 5/3, IN LINE interface, electrically operated Ex db



Version	Symbol	Code	Item
3/2 NC			AX1E230XC*
3/2 NO			AX1E231XC*
3/2 NC external air pilot			AX1K230XC*

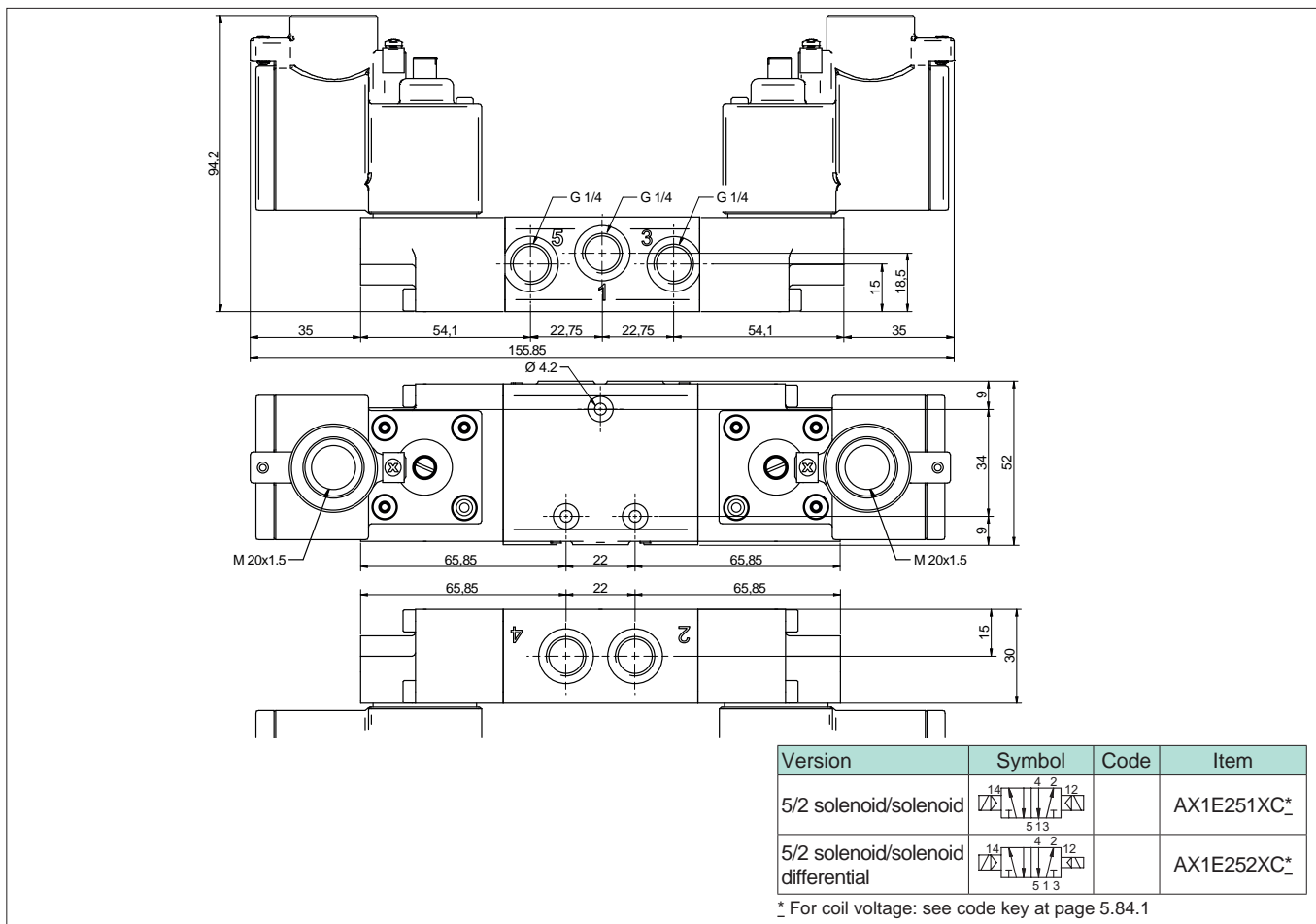
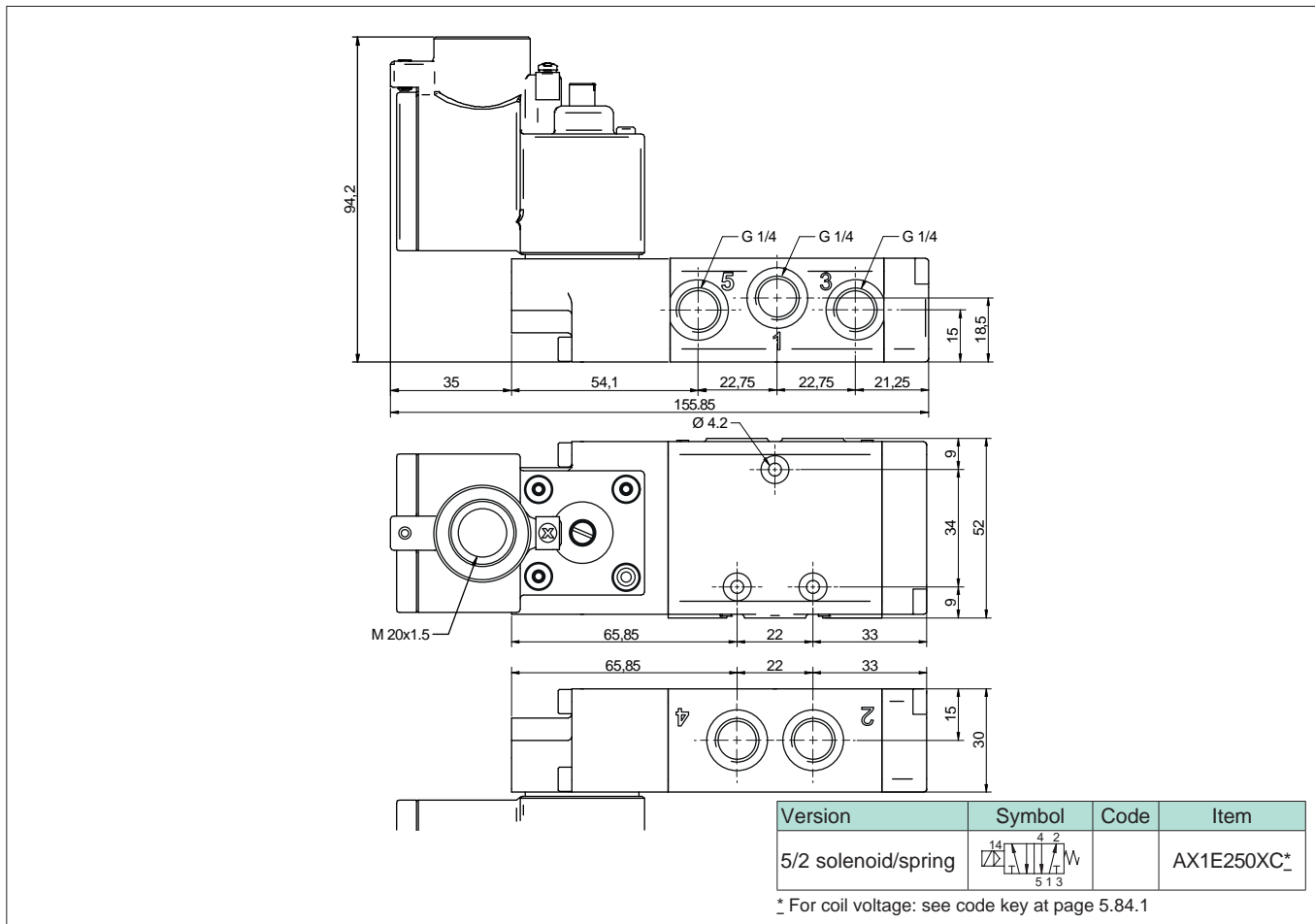
\* For coil voltage: see code key at page 5.84.1



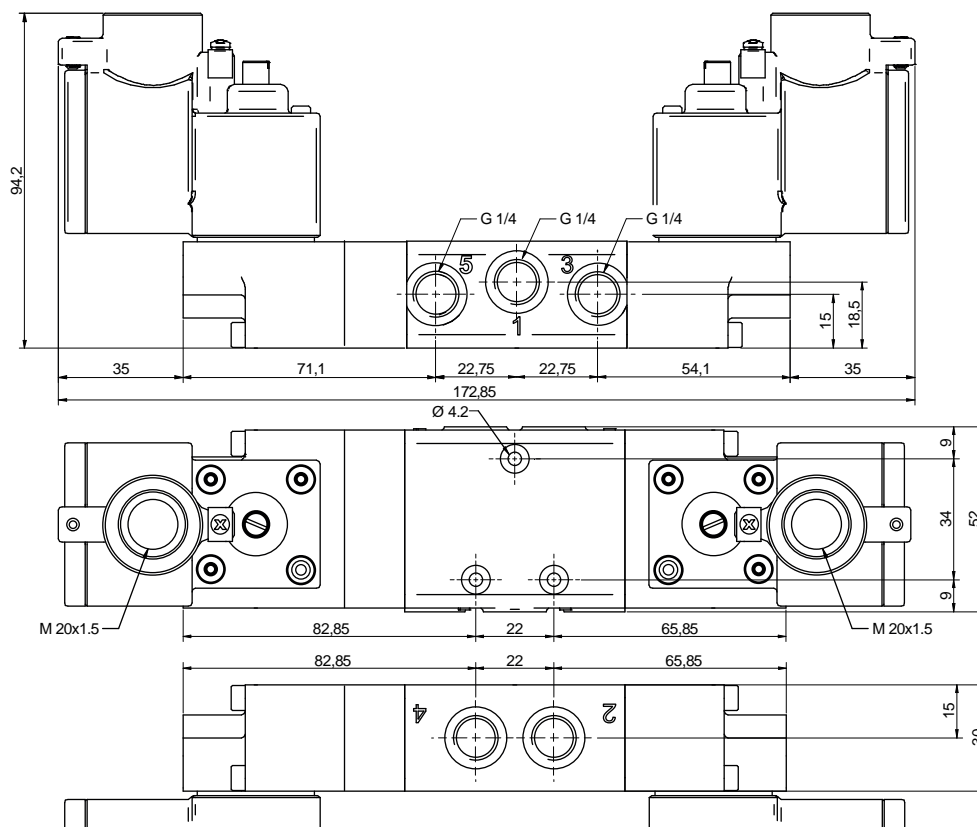
Version	Symbol	Code	Item
3/2 solenoid/solenoid			AX1E232XC*
3/2 solenoid/solenoid external air pilot			AX1K232XC*

\* For coil voltage: see code key at page 5.84.1

Valves series AX1 - Flameproof coil Ex db  
 1/4", 3/2 - 5/2 - 5/3, IN LINE interface, electrically operated Ex db



Valves series AX1 - Flameproof coil Ex db  
 1/4", 3/2 - 5/2 - 5/3, IN LINE interface, electrically operated Ex db



Version	Symbol	Code	Item	Version	Symbol	Code	Item
5/3 closed centres			AX1E270XC*	5/3 closed centres, external air pilot			AX1K270XC*
5/3 open centres			AX1E271XC*	5/3 open centres, external air pilot			AX1K271XC*
5/3 pressurised centres			AX1E272XC*	5/3 pressurised centres external air pilot			AX1K272XC*

\* For coil voltage: see code key at page 5.84.1

Valves series AX1 - Flameproof coil Ex db  
1/4", 3/2 - 5/2, NAMUR interface, electrically operated Ex db



Functions 3/2

Version	Symbol	Code	Item
3/2 NC			AX1NE230XC*
5/2 solenoid/spring			AX1NE250XC*

\* For coil voltage: see code key at page 5.84.1

Functions 3/2

Version	Symbol	Code	Item
3/2 solenoid/solenoid			AX1NE232XC*
5/2 solenoid/solenoid			AX1NE251XC*

\* For coil voltage: see code key at page 5.84.1