

Standard executions			
Version	Symbol	Code	Item
Filter-regulator + Lubricator		090606	A01FRRLX
Filter-regulator		090603	A01FRRX
Filter		090609	A01FX
Regulator		090612	A01RX
Lubricator		090615	A01LX



On request, they can be supplied according to 2014/34/EU - ATEX

Options	Suffix
High pressure (12 ÷ 28 bar)	HP
Filter 40 µm cartridge	40
NPT thread	N
Manual condense drain	H
Automatic condense drain	D
Seals for low temperature -40°C ÷ +70°C	BT



Series of modular units in stainless steel AISI 316 suitable for industrial application like: food, medical, chemical, Oil & Gas and mining.

Light weight and compact size for space saving, the air preparation units have the following standard features :

- For high pressure use, corrosion and chemical resistance;
- Good performance in chemical working environments and outdoor facility;
- Suitable for food, medical, chemical, off-shore and mining industry;
- Metallic parts meet NACE Standard MR-01-75;
- The product effectively removes water and particle;
- Accurate and sensitive pressure setting;
- Lubricator oil can be replenished without stopping air supply.

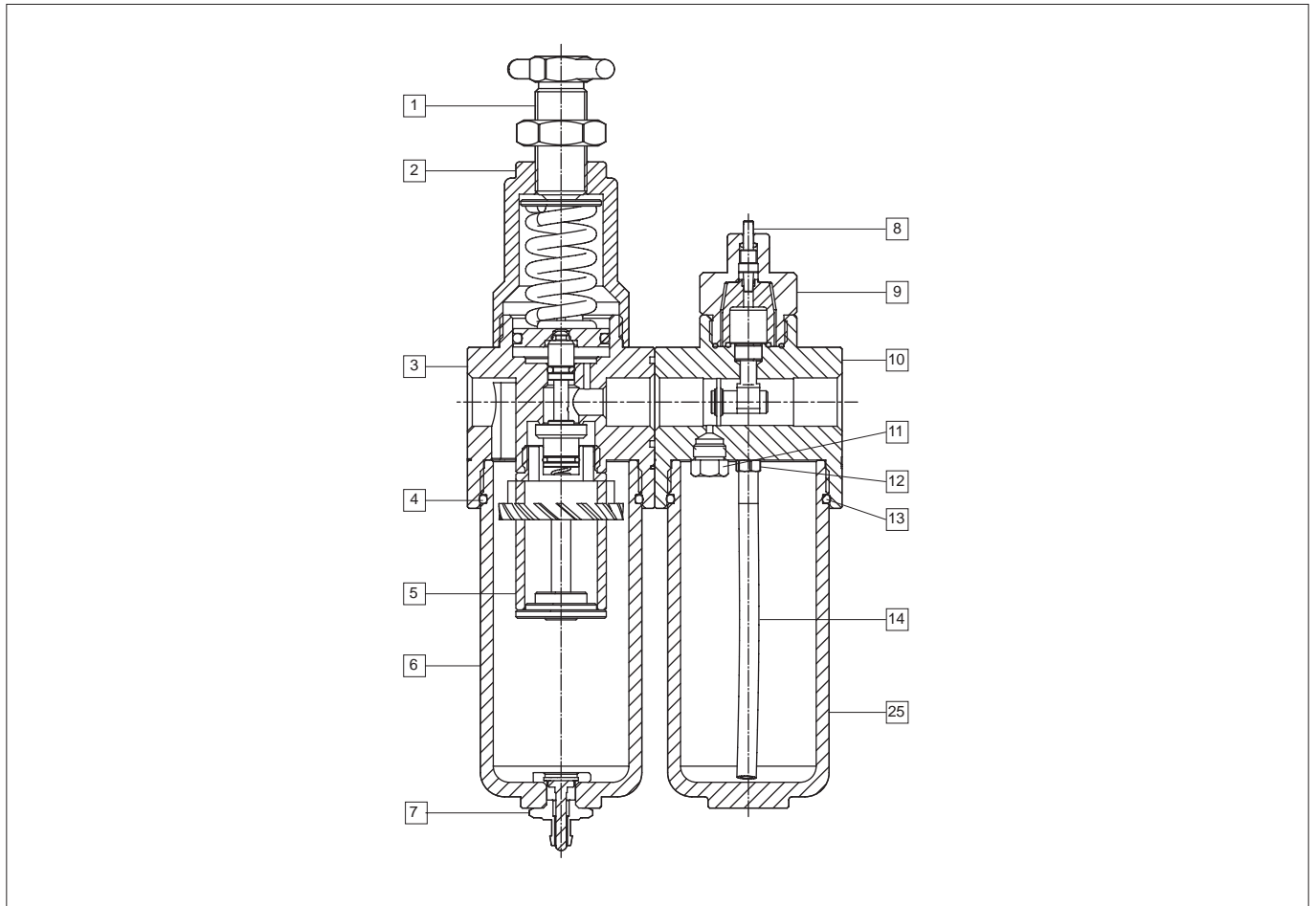
The modular units are supplied together with the bracket nuts and gauge always in stainless steel material.

Order separately screw kit and o-ring for mounting FRRX + LX, see page 5.140.61

How to order: A01FRRX40N

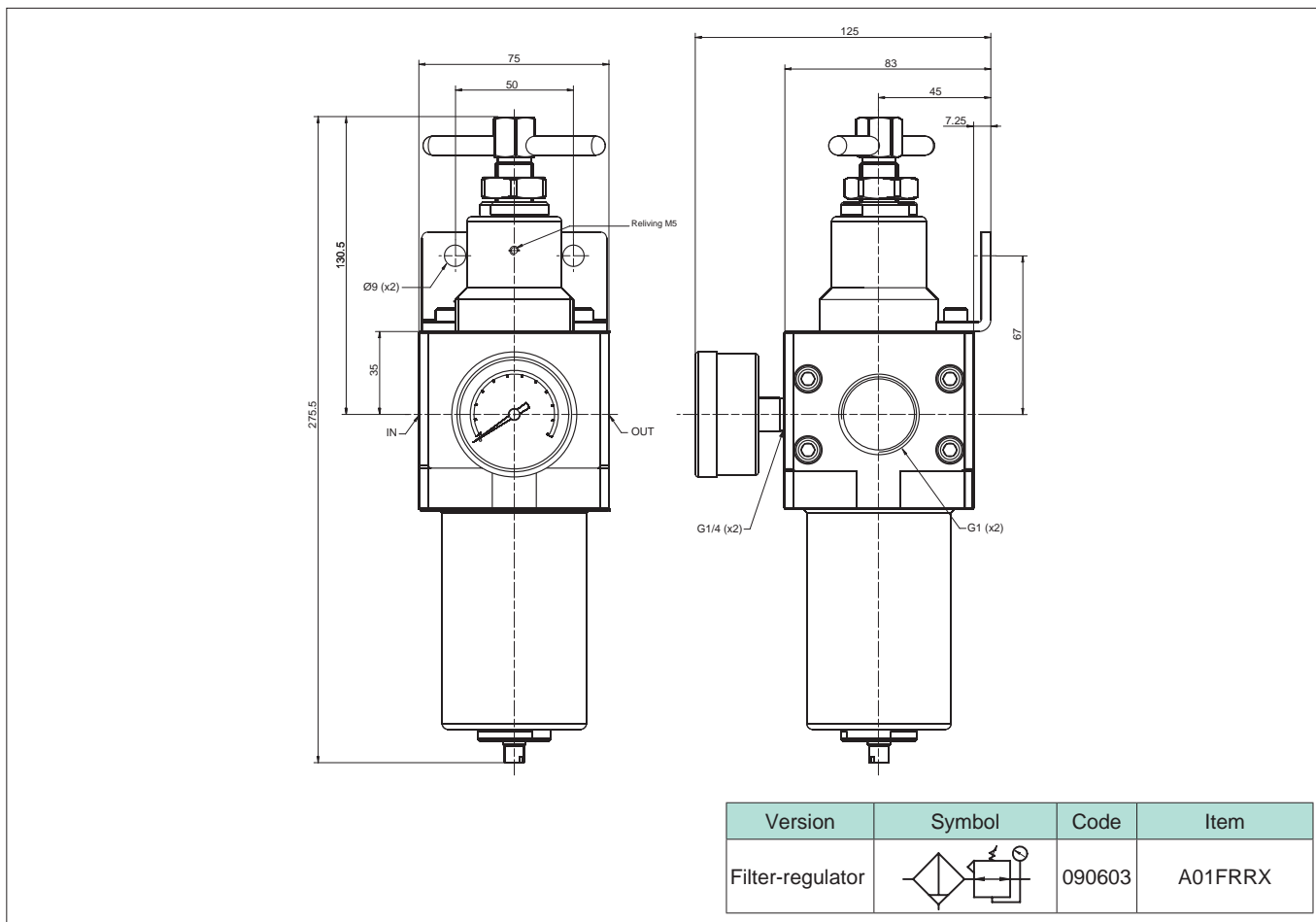
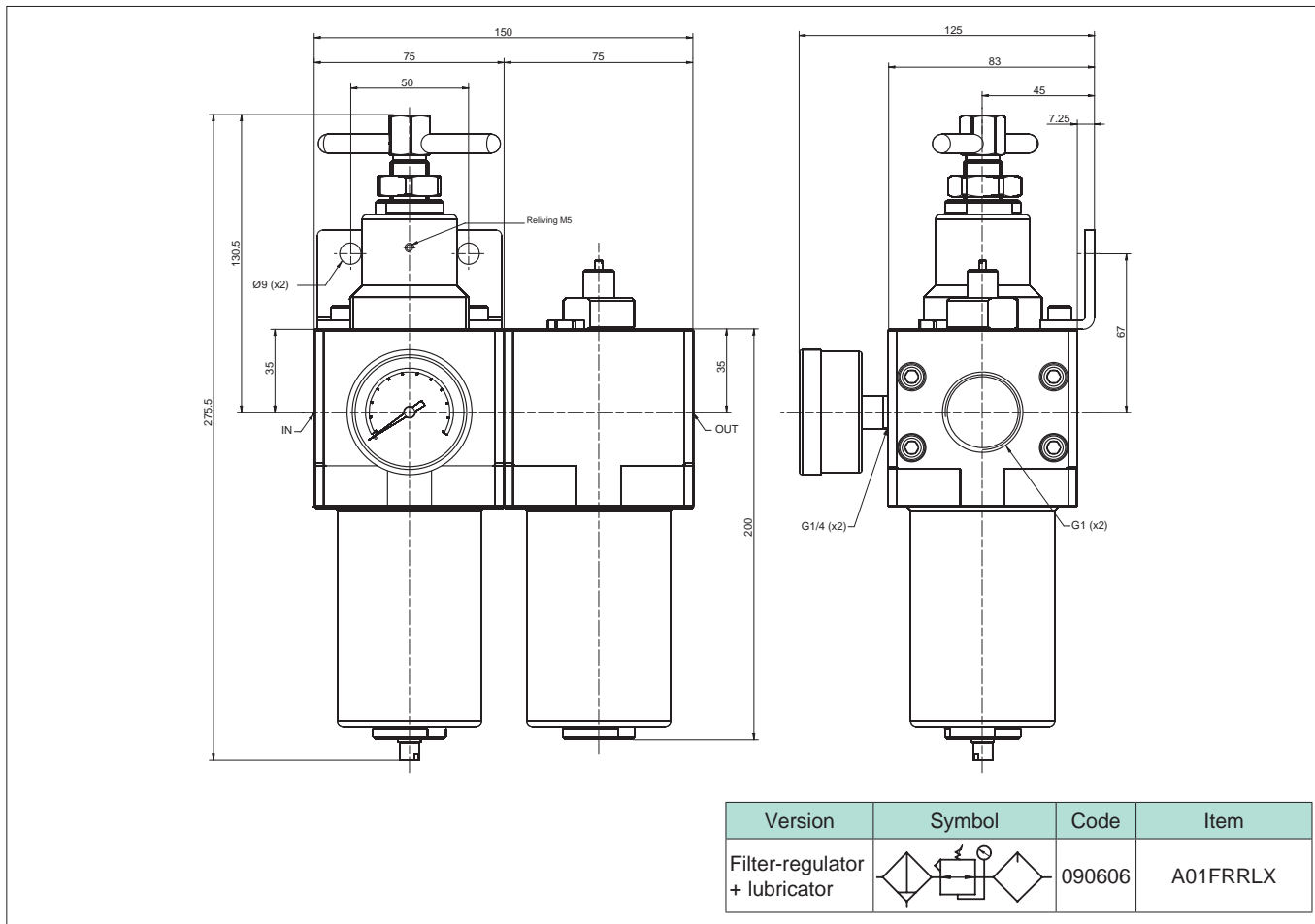
A01FRRX	40	N
Version	Option	Option

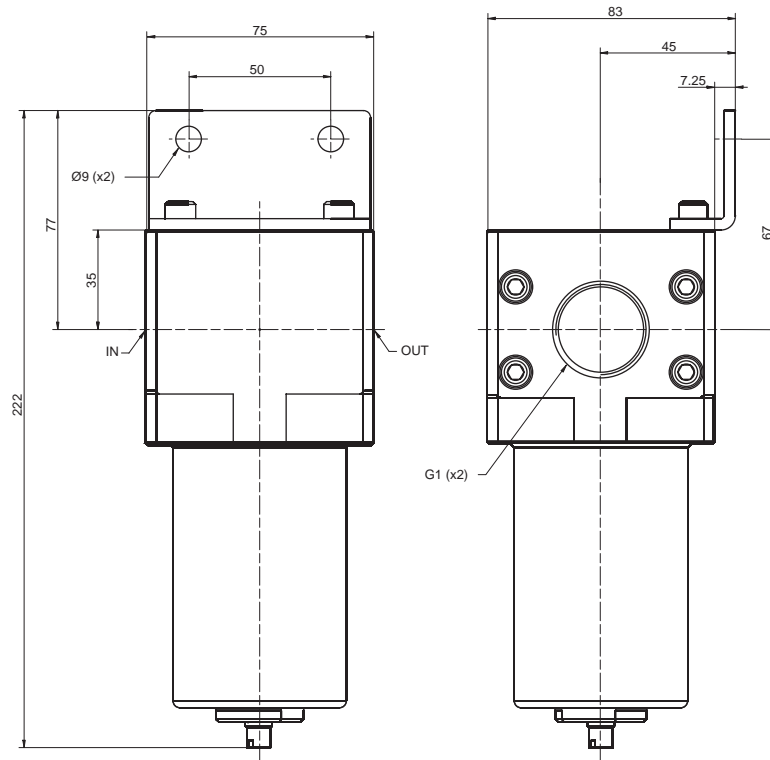
Technical data					
Item	A01FRRLX	A01FRRX	A01FX	A01RX	A01LX
Pressure	60 bar (with viewer on cup: 15bar)				
Regulation range	0,5 ÷ 12 bar (standard) - 12 ÷ 28 bar (HP)				
Overpressure exhaust	Reliving M5	Reliving M5	-	Reliving M5	-
Pressure regulator	Piston	Piston	-	Piston	-
Max. flow rate (l/min)	8000 l/min	8900 l/min	9600 l/min	9400 l/min	13200 l/min
Temperature range	-10°C ÷ +70°C (std) -40°C ÷ +70°C (BT)	-10°C ÷ +70°C (std) -40°C ÷ +70°C (BT)	-10°C ÷ +70°C (standard) -40°C ÷ +70°C (BT)		
Suggested oil	With ISO VG 32 viscosity according to normative ISO 3448				
Filtering element	5 µm (standard) 40 µm (on request)	5 µm (standard) 40 µm (on request)	5 µm (standard) 40 µm (on request)	-	-
Condense drain	Semi-automatic (standard) - On request manual/automatic				
Cup capacity	Filter: 200 cm <sup>3</sup> Lubricator: 220 cm <sup>3</sup>	200 cm <sup>3</sup>	200 cm <sup>3</sup>	-	220 cm <sup>3</sup>
Weight	7960 g	4580 g	3950 g	3400 g	3360 g



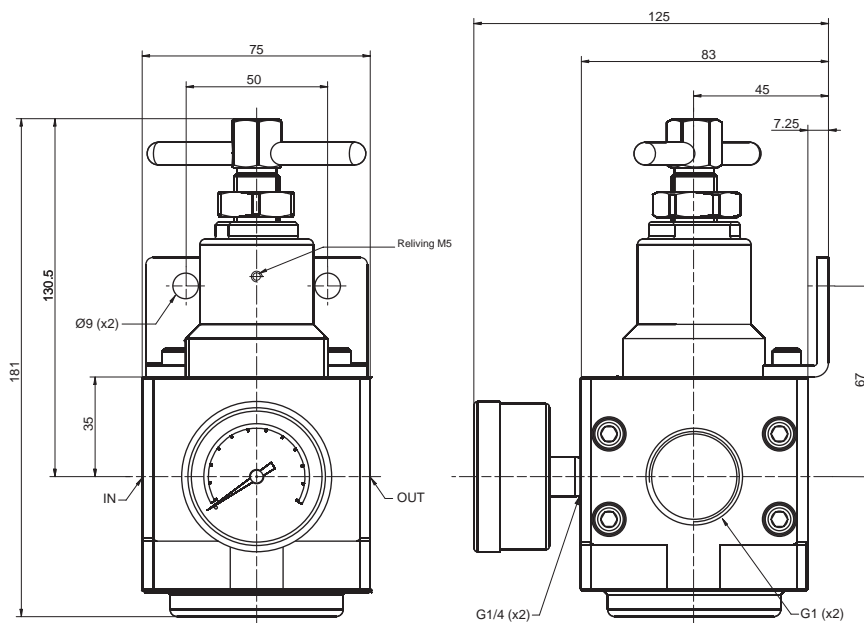
Materials					
1	Pressure regulator screw	Stainless steel AISI 316	9	Lubricator cover	Stainless steel AISI 316
2	Pressure regulator cup	Stainless steel AISI 316	10	Lubricator body	Stainless steel AISI 316
3	Regulator body	Stainless steel AISI 316	11	Cover	Stainless steel AISI 316
4	O-ring seal	FKM (standard) - EPDM (BT)	12	Fitting	Stainless steel AISI 316
5	Filtering element	Stainless steel AISI 316	13	O-ring seal	FKM (standard) - EPDM (BT)
6	Filter cup	Stainless steel AISI 316	14	Pipe	PU
7	Drain unit	Stainless steel AISI 316	15	Lubricator cup	Stainless steel AISI 316
8	Oil regulation screw	Stainless steel AISI 316			

Description	Code	Item
Screw kit and o-ring	090620	VOXKIT-1"

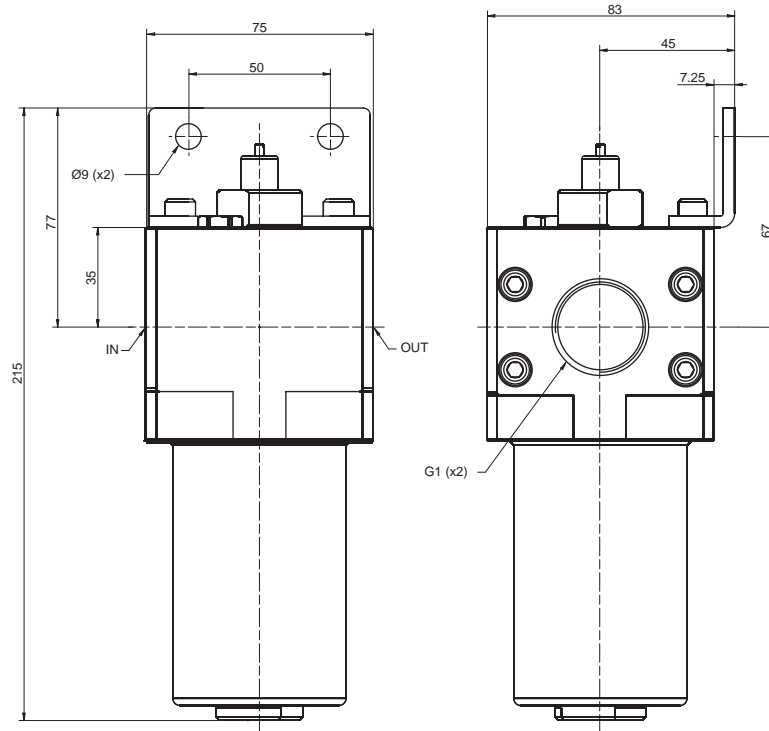




Version	Symbol	Code	Item
Filter		090609	A01FX



Version	Symbol	Code	Item
Regulator		090612	A01RX



Version	Symbol	Code	Item
Lubricator		090615	A01LX