

Stainless Steel push-in fittings

Series RX, in AISI 316 L



Version	Type
BSPT stud	RX11
BSP stud	RX12
Union	RX26
Bulkhead	RX27
Reducer	RX25
BSPT elbow	RX14
BSPT swivel elbow	RX15
BSP swivel elbow	RX16
Equal elbow	RX28
BSPT swivel tee	RX20
BSP swivel tee	RX21
Equal tee	RX29
Single hollow bolt	RX31
Single banjo	RX35



Series of stainless steel push-in fittings with reduced dimensions and new collet and release collar.

They are for connecting nylon and polyurethane tubes. Available in various configurations (studs, elbows, T) and with threads Gas pre-tefloned taper (BSPT) and Gas parallel (BSP) with sealing o-ring.

The stud threaded versions are standard with external and internal hexagonal key (for mounting in narrow places).

* How to order: RX110618

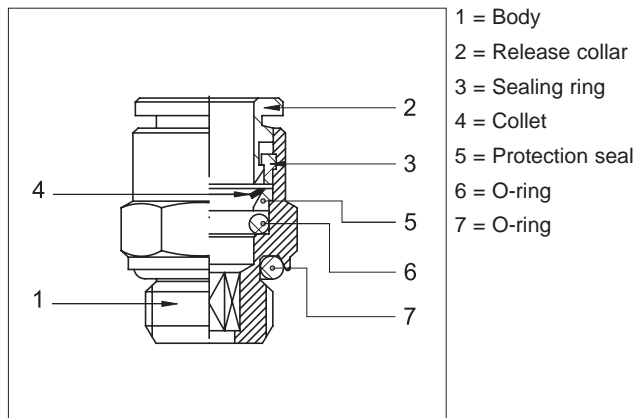
RX11	06	18
Type	Code ø Tube	Tube or thread code

* For standard items, codes and dimensions see tables from page. 5.150.2

External tube ø (mm)	4	6	8	10	12
Code	04	06	08	10	12

Threads	M5	1/8"	1/4"	3/8"	1/2"
Code	M5	18	14	38	12

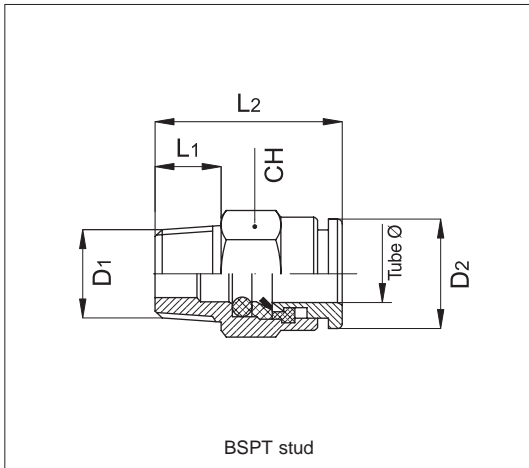
APPLICATION FIELDS:	Chemical Pharmaceutics Medicine Food Electronics
---------------------	--



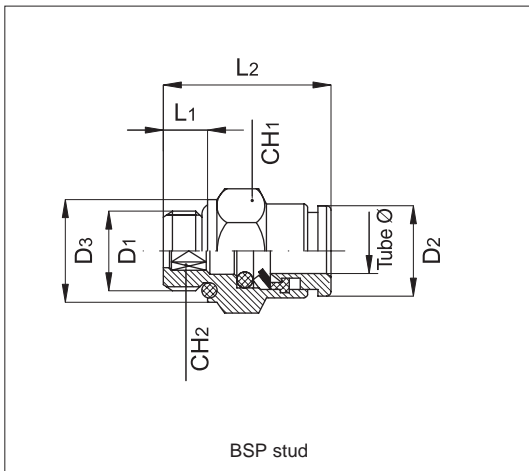
Technical data									
Fluid	Compressed air, gases, acids, fluids.								
Pressure range	0,5 ÷ 12 bar								
Temperature range	-20 °C ÷ + 150°C								
Parallel threads	UNI - ISO 228 / 1 (BSP)								
Taper threads	UNI - ISO 7 / 1 (BSPT)								
Metric threads	ISO R / 262								
Connection tubes	Calibrated nylon, polyurethane and rilsan								
Tube tolerance	± 0,05 mm								
Materials	<table border="0"> <tr> <td>Body and release collar:</td> <td>Stainless steel AISI 316 L</td> </tr> <tr> <td>Sealing ring and protection ring:</td> <td>Stainless steel AISI 316 L</td> </tr> <tr> <td>Collet:</td> <td>Stainless Steel AISI 301</td> </tr> <tr> <td>Seals:</td> <td>FKM</td> </tr> </table>	Body and release collar:	Stainless steel AISI 316 L	Sealing ring and protection ring:	Stainless steel AISI 316 L	Collet:	Stainless Steel AISI 301	Seals:	FKM
Body and release collar:	Stainless steel AISI 316 L								
Sealing ring and protection ring:	Stainless steel AISI 316 L								
Collet:	Stainless Steel AISI 301								
Seals:	FKM								

Stainless Steel push-in fittings

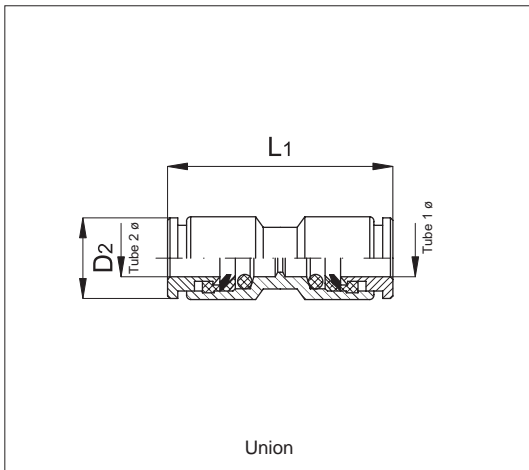
Series RX, in AISI 316 L



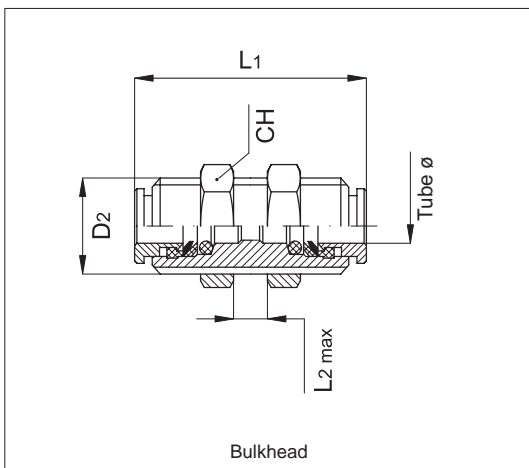
Code	Item	Tube ø	D1	D2	L1	L2	CH
020901	RX 11 04 18	4	1/8"	9	7,5	15,5	10
020902	RX 11 04 14	4	1/4"	9	11	20	14
020903	RX 11 06 18	6	1/8"	12	7,5	20,5	12
020904	RX 11 06 14	6	1/4"	12	11	20	14
020905	RX 11 08 18	8	1/8"	14	7,5	24,5	14
020906	RX 11 08 14	8	1/4"	14	11	23	14
020907	RX 11 10 14	10	1/4"	16	11	30	16
020908	RX 11 10 38	10	3/8"	16	11,5	23,5	17
020909	RX 11 12 38	12	3/8"	18	11,5	27	18
020910	RX 11 12 12	12	1/2"	18	14	27	22



Code	Item	Tube ø	D1	D2	D3	L1	L2	CH1	CH2
020915	RX 12 04 M5	4	M5	9	8	4	19	9	-
020916	RX 12 04 18	4	1/8"	9	13	5	16	13	3
020917	RX 12 06 18	6	1/8"	12	13	5	19	13	4
020918	RX 12 06 14	6	1/4"	12	16	6,5	18,5	16	4
020919	RX 12 08 18	8	1/8"	14	13	5	22,5	14	6
020920	RX 12 08 14	8	1/4"	14	16	6,5	21	16	6
020911	RX 12 10 14	10	1/4"	16	16	6,5	27,5	16	8
020912	RX 12 10 38	10	3/8"	16	20	7	25	17	8
020913	RX 12 12 38	12	3/8"	19	20	7	28,5	21	10
020914	RX 12 12 12	12	1/2"	19	25	8,5	26,5	22	10



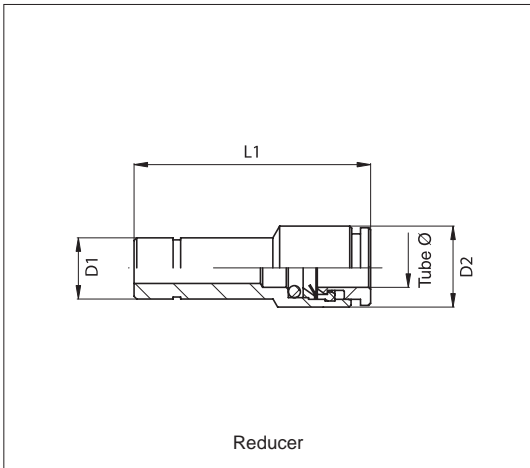
Code	Item	Tube ø ₁	Tube ø ₂	D ₂	L ₁
020925	RX 26 04 04	4	4	9	27
020924	RX 26 06 04	6	4	12	31
020926	RX 26 06 06	6	6	12	32,5
020935	RX 26 08 06	8	6	14	34
020927	RX 26 08 08	8	8	14	33
020928	RX 26 10 10	10	10	16	37,5
020929	RX 26 12 12	12	12	18	39,5



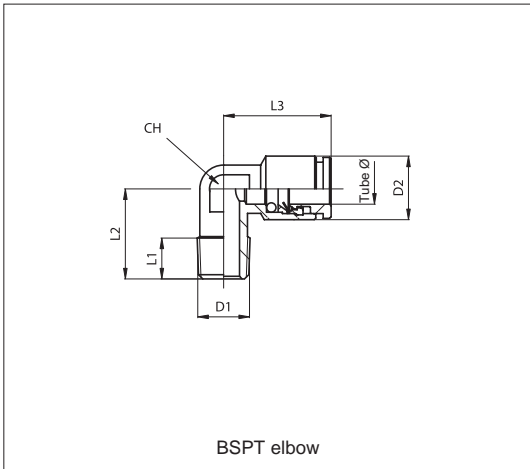
Code	Item	Tube ø	D ₂	L ₁	L ₂ max	CH
020930	RX 27 04 04	4	12x1	27	11	15
020931	RX 27 06 06	6	14x1	32,5	16	17
020932	RX 27 08 08	8	16x1	33	17	19
020933	RX 27 10 10	10	18x1	37,5	19	21
020934	RX 27 12 12	12	20x1	39,5	20	24

Stainless Steel push-in fittings

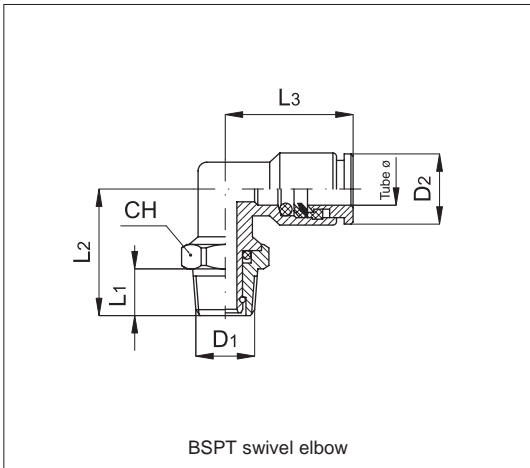
Series RX, in AISI 316 L



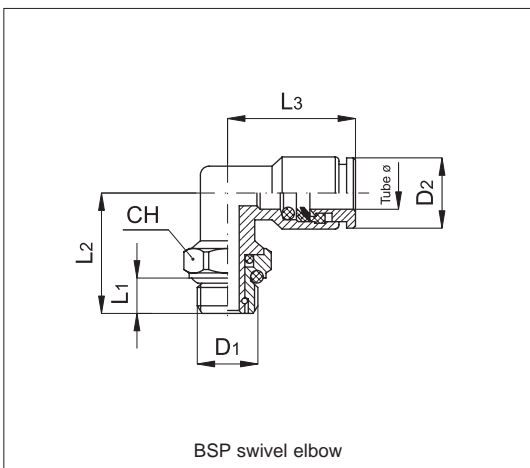
Code	Item	Tube ø	D1	D2	L1
020921	RX 25 04 06	4	6	9	31
020922	RX 25 06 08	6	8	12	33
020923	RX 25 08 10	8	10	14	34,5



Code	Item	Tube ø	D1	D2	L1	L2	L3
020956	RX 14 04 18	4	1/8"	9	7,5	16	17
020957	RX 14 06 18	6	1/8"	12	7,5	16	20
020958	RX 14 06 14	6	1/4"	12	11	20	20
020959	RX 14 08 18	8	1/8"	14	7,5	17	21
020949	RX 14 08 14	8	1/4"	14	11	20	21
020946	RX 14 10 14	10	1/4"	16	11	22.5	25.5



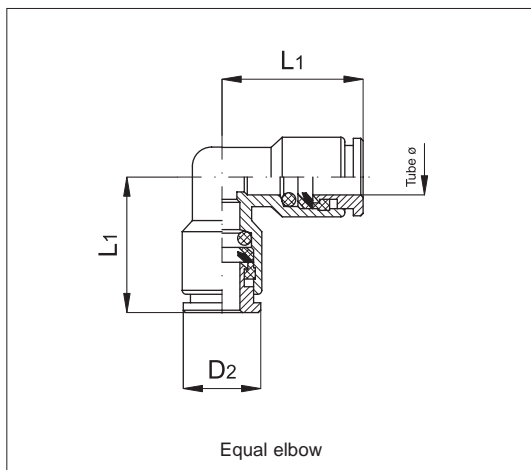
Code	Item	Tube ø	D1	D2	L3	L1	L2	CH
020936	RX 15 04 18	4	1/8"	9	17	7,5	17,5	10
020937	RX 15 06 18	6	1/8"	12	21,5	7,5	20	13
020938	RX 15 06 14	6	1/4"	12	21,5	11	24	14
020939	RX 15 08 18	8	1/8"	14	22	7,5	20	13
020940	RX 15 08 14	8	1/4"	14	22	11	24	14
020941	RX 15 10 14	10	1/4"	16	25,5	11	26,5	16
020942	RX 15 10 38	10	3/8"	16	25,5	11,5	27	17
020943	RX 15 12 38	12	3/8"	18	28	11,5	30,5	21
020944	RX 15 12 12	12	1/2"	18	28	14	33,5	22



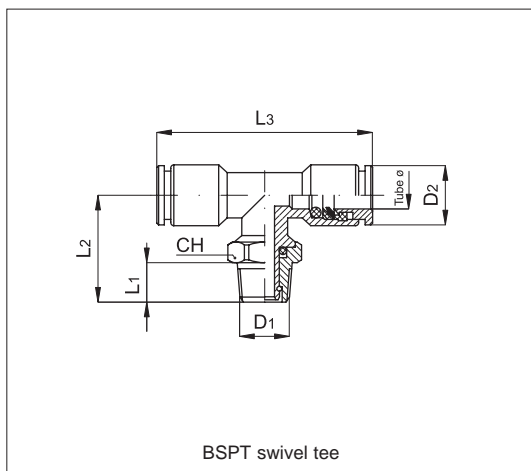
Code	Item	Tube ø	D1	D2	L1	L2	L3	CH
020950	RX 16 04 M5	4	M5	9	4	14	17	9
020951	RX 16 04 18	4	1/8"	9	5	16	17	13
020952	RX 16 06 18	6	1/8"	12	5	18	21,5	13
020953	RX 16 06 14	6	1/4"	12	6,5	20	21,5	16
020954	RX 16 08 18	8	1/8"	14	5	18	22	13
020955	RX 16 08 14	8	1/4"	14	6,5	20	22	16
020947	RX 16 10 14	10	1/4"	16	6,5	22.5	25.5	16
020983	RX 16 10 38	10	3/8"	16	7	24	25.5	21
020984	RX 16 12 38	12	3/8"	19	7	26.5	28	21
020985	RX 16 12 12	12	1/2"	19	8,5	31	28	22

Stainless Steel push-in fittings

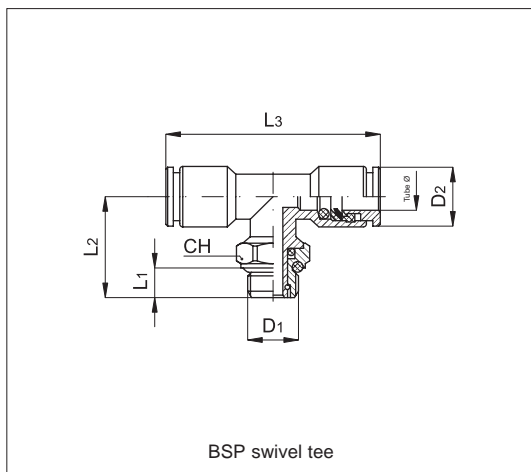
Series RX, in AISI 316 L



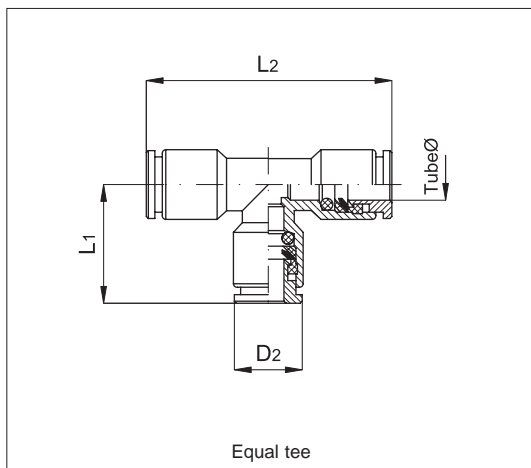
Code	Item	Tube ø	D ₂	L ₁
020960	RX 28 04 04	4	9	17
020961	RX 28 06 06	6	12	20
020962	RX 28 08 08	8	14	21
020963	RX 28 10 10	10	16	25
020964	RX 28 12 12	12	18	27



Code	Item	Tube ø	D ₁	D ₂	L ₁	L ₂	L ₃	CH
020966	RX 20 04 18	4	1/8"	9	7,5	21,5	34	10
020967	RX 20 06 18	6	1/8"	12	7,5	24,5	42	13
020968	RX 20 06 14	6	1/4"	12	11	28,5	42	14
020969	RX 20 08 18	8	1/8"	14	7,5	24,5	43	13
020970	RX 20 08 14	8	1/4"	14	11	28,5	43	14
020971	RX 20 10 14	10	1/4"	16	11	32	50	16
020972	RX 20 10 38	10	3/8"	16	11,5	32,5	50	17



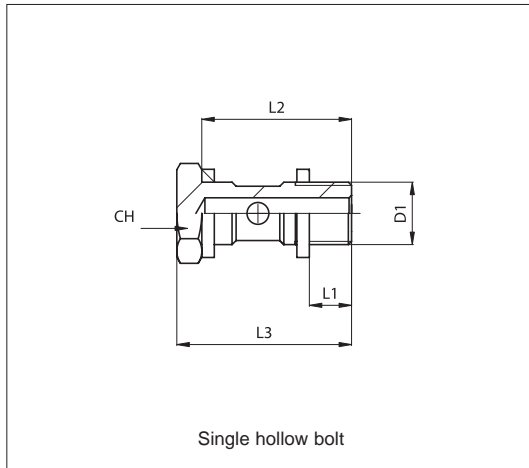
Code	Item	Tube ø	D ₁	D ₂	L ₁	L ₂	L ₃	CH
020974	RX 21 04 M5	4	M5	9	4	18	34	9
020975	RX 21 04 18	4	1/8"	9	5	20	34	13
020976	RX 21 06 18	6	1/8"	12	5	22,5	42	13
020977	RX 21 06 14	6	1/4"	12	6,5	24,5	42	16
020978	RX 21 08 18	8	1/8"	14	5	22,5	43	13
020979	RX 21 08 14	8	1/4"	14	6,5	24,5	43	16
020986	RX 21 10 14	10	1/4"	16	6,5	25,5	50	16
020987	RX 21 10 38	10	3/8"	16	7	27	50	21



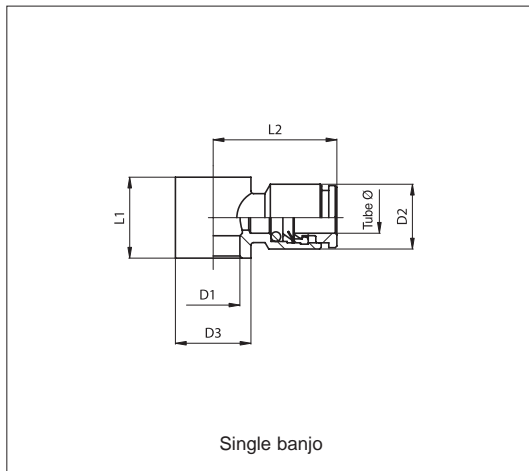
Code	Item	Tube ø	D ₂	L ₁	L ₂
020995	RX 29 04 04	4	9	17	34
020996	RX 29 06 06	6	12	20	40
020997	RX 29 08 08	8	14	21	42
020998	RX 29 10 10	10	16	25	50
020999	RX 29 12 12	12	18	27	54

Stainless Steel push-in fittings

Series RX, in AISI 316 L



Code	Item	D ₁	L ₁	L ₂	L ₃	CH
020980	RX 31 00 18	1/8"	5,5	23	27	14
020948	RX 31 00 14	1/4"	6,5	26,5	31,5	17
020988	RX 31 00 38	3/8"	7	30	36	21
020989	RX 31 00 12	1/2"	8,5	35,5	41,5	26



Code	Item	Tube ø	D ₁	D ₂	D ₃	L ₁	L ₂
020982	RX 35 04 18	4	1/8"	9	14	15	19,5
020981	RX 35 06 18	6	1/8"	12	14	15	22
020973	RX 35 06 14	6	1/4"	12	18	17	23,5
020965	RX 35 08 18	8	1/8"	14	14	15	22,5
020945	RX 35 08 14	8	1/4"	14	18	17	24
020990	RX 35 10 14	10	1/4"	14	18	17	27
020991	RX 35 10 38	10	3/8"	16	22	20	29
020992	RX 35 12 38	12	1/2"	16	22	20	31
020993	RX 35 12 12	12	1/2"	19	26	24	33