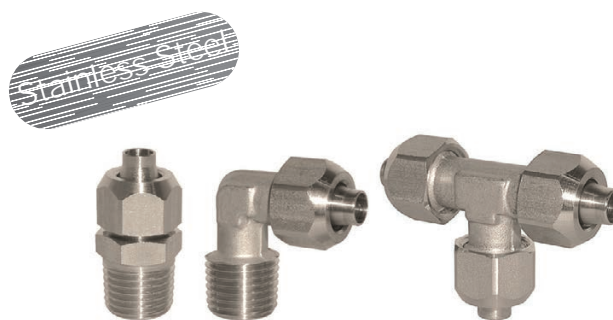


Stainless Steel rapid fittings

Series CX, in AISI 316 L



Version	Type
BSPT stud	CX11
Union	CX14
BSPT elbow	CX16
Equal elbow	CX18
BSTP central tee	CX20
BSTP lateral tee	CX21
Equal tee	CX19
Nut	CX27



Series of stainless steel rapid fittings in AISI 316L suitable for applications with very high temperatures and/or aggressive fluids not compatible with standard seals.

External tube \varnothing (mm)	4	5	6	8	10
Code	04	05	06	08	10

Threads	1/8"	1/4"	3/8"
Code	18	14	38

*How to order: CX110618

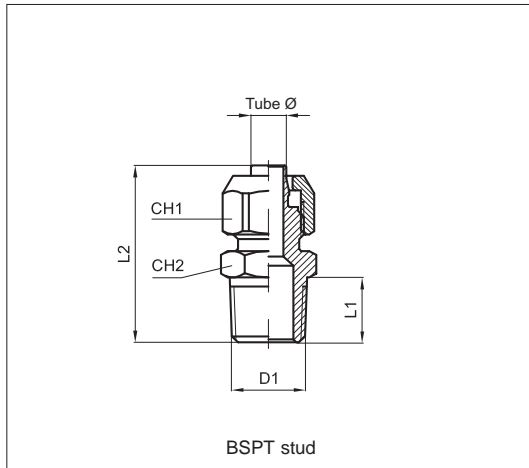
CX11	06	18
Type	Code \varnothing Tube	Tube or thread code

* For standard items, codes and dimensions see tables from page 5.155.2

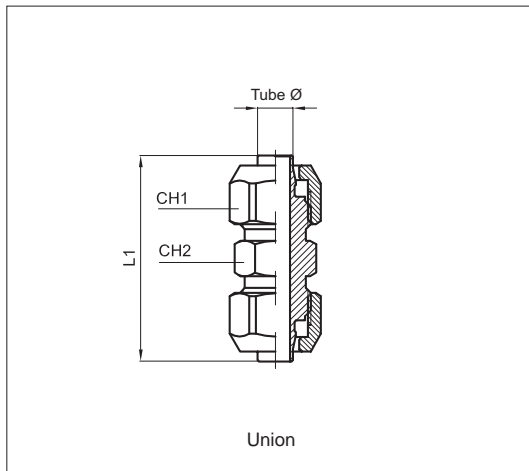
Technical data	
Fluid	All those compatible with stainless steel AISI 316 L
Pressure _{max}	25 bar
Temperature range	-40 °C ÷ + 200°C
Taper threads	UNI - ISO 7 / 1 (BSPT)
Connection tubes	Suggested PTFE
Tube tolerances	Up to 10 mm: $\pm 0,05$ mm - \varnothing 12 mm and 15 mm: $\pm 0,1$ mm
Materials	Body e Nut: Stainless Steel AISI 316 L

Stainless Steel rapid fittings

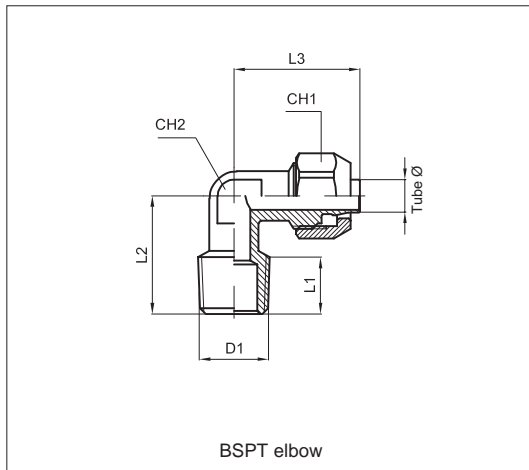
Series CX, in AISI 316 L



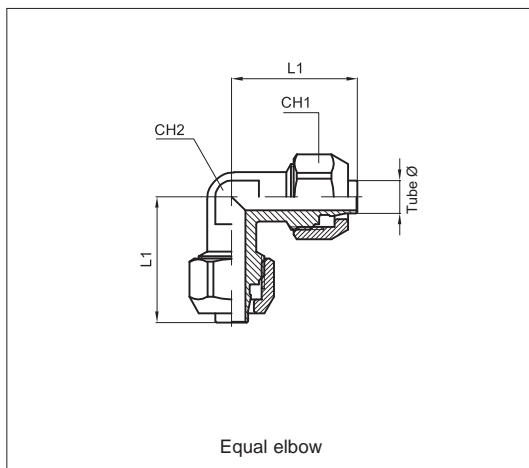
Code	Item	Tube ø	D ₁	L ₁	L ₂	CH ₁	CH ₂	Weight (g)
021560	CX 11 06 18	6-4	1/8"	7,5	26	34	10	12
021561	CX 11 06 14	6-4	1/4"	11	29,5	12	14	18
021562	CX 11 08 18	8-6	1/8"	7,5	26,5	14	13	16,5
021563	CX 11 08 14	8-6	1/4"	11	30	14	14	20,5
021564	CX 11 10 14	10-8	1/4"	11	32,5	16	14	24
021565	CX 11 10 38	10-8	3/8"	11,5	33	16	17	30



Code	Item	Tube ø	L ₁	CH ₁	CH ₂	Weight (g)
021566	CX 14 06 00	6-4	34	12	10	20
021567	CX 14 08 00	8-6	35	14	12	26
021568	CX 14 10 00	10-8	39	16	14	36



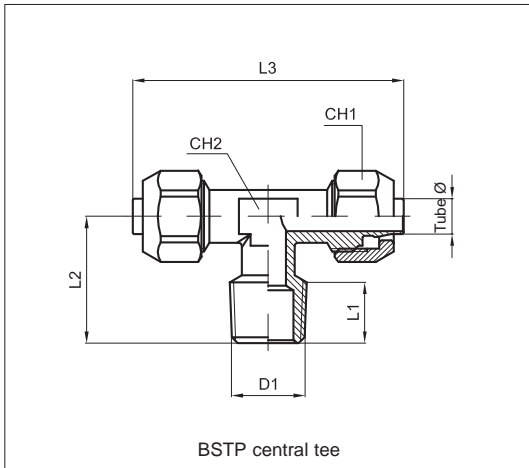
Code	Item	Tube ø	D ₁	L ₁	L ₂	L ₃	CH ₁	CH ₂	Weight (g)
021569	CX 16 06 18	6-4	1/8"	7,5	17	23	12	10	17
021570	CX 16 06 14	6-4	1/4"	11	21,5	23	12	10	20
021571	CX 16 08 18	8-6	1/8"	7,5	17	23	14	10	18
021572	CX 16 08 14	8-6	1/4"	11	21,5	23	14	10	21
021573	CX 16 10 14	10-8	1/4"	11	21,5	25,5	16	10	25



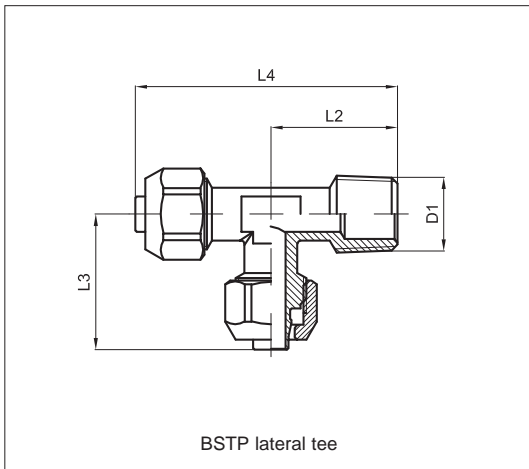
Code	Item	Tube ø	L ₁	L ₁	CH ₁	CH ₂	Weight (g)
021574	CX 18 06 00	6-4	22,5	22,5	12	10	25
021575	CX 18 08 00	8-6	23	23	14	10	27
021576	CX 18 10 00	10-8	25,5	25,5	16	10	33

Stainless Steel rapid fittings

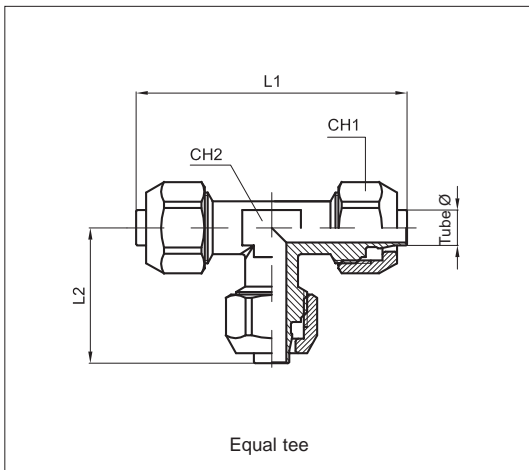
Series CX, in AISI 316 L



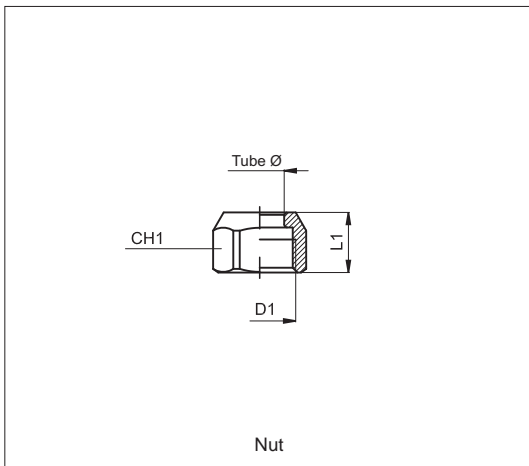
Code	Item	Tube ø	D ₁	L ₁	L ₂	L ₃	CH ₁	CH ₂	Weight (g)
021577	CX 20 06 18	6-4	1/8"	8	17	46	12	10	29
021578	CX 20 06 14	6-4	1/4"	11	21,5	46	12	10	32
021579	CX 20 08 18	8-6	1/8"	8	17	46	14	10	30
021580	CX 20 08 14	8-6	1/4"	11	21,5	46	14	10	34
021581	CX 20 10 14	10-8	1/4"	11	21,5	51	16	10	40



Code	Item	Tube ø	D ₁	L ₁	L ₂	L ₃	L ₄	CH ₁	CH ₂	Weight (g)
021582	CX 21 06 18	6-4	1/8"	8	17	23	40	12	10	29
021583	CX 21 06 14	6-4	1/4"	11	21,5	23	44,5	12	10	32
021584	CX 21 08 18	8-6	1/8"	8	17	23	40	14	10	30
021585	CX 21 08 14	8-6	1/4"	11	21,5	23	44,5	14	10	34
021586	CX 21 10 14	10-8	1/4"	11	21,5	25,5	47	16	10	40



Code	Item	Tube ø	L ₁	L ₁	CH ₁	CH ₂	Weight (g)
021587	CX 19 06 00	6-4	45	22,5	12	10	36
021588	CX 19 08 00	8-6	46	23	14	10	39
021589	CX 19 10 00	10-8	51	25,5	16	10	49



Code	Item	Tube ø	D ₁	L ₁	CH ₁	Weight (g)
021590	CX 27 06 10	6-4	M10x1	10	12	4
021591	CX 27 08 12	8-6	M12x1	10	14	5
021592	CX 27 10 14	10-8	M14x1	11	16	7