

# Stainless Steel standard fittings

## Series AX, in AISI 316



Version	Type	Version	Type
M-F BSPT reducer	AX002	Female plug	AX010
M-F BSPT stem increaser	AX004	Nut	AX013
BSPT nipple	AX006	BSPT - hose adapter	AX015
BSPT reducing nipple	AX027	BSP female union	AX032
Threaded nipple	AX028	M-F BSP union	AX033
Solder fittings	AX029	BSP 45° female elbow	AX034
BSPT extended nipple	AX030	F - F elbow	AX021
Female socket	AX007	M - F elbow	AX022
Female reducing socket	AX031	F - F - F tee	AX023
Male BSPT plug	AX016	F - F - F - F +	AX026



Series of standard fittings in stainless steel AISI 316 available in various configurations to adapt the connections of every installation according to one's requirements. Available with Gas taper threads (BSPT) and fit for pneumatic, hydraulic (low pressure) and hydropneumatic installations, for alimentary, chemical, medical fields etc..

\* How to order: AX0061212

AX006	12	12
Type	Filetto	Filetto

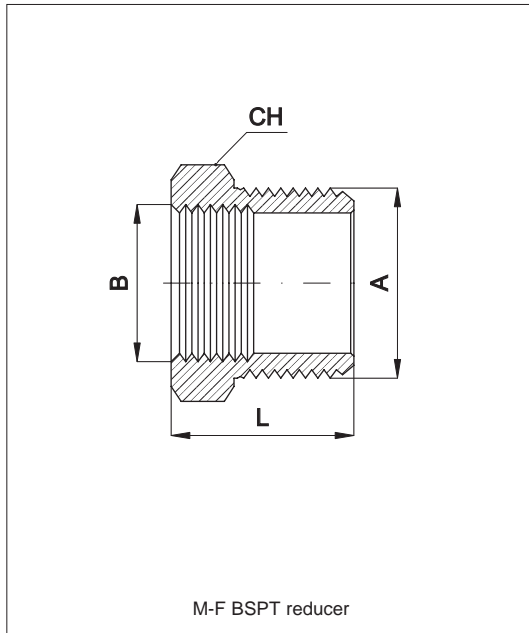
\* For standard items, codes and dimensions see tables from page 5.165.2

Threads	1/8"	1/4"	3/8"	1/2"	3/4"	1"	1 1/4"	1 1/2"	2"	2 1/2"	3"	4"
Code	18	14	38	12	34	01	41	21	02	22	03	04

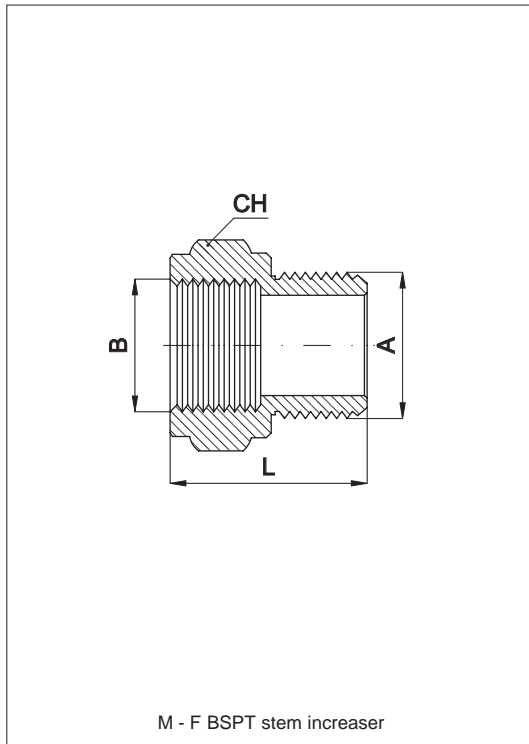
Technical data	
Fluid	Compressed air, aggressive fluids, oil at low pressure.
Pressure range	60 bar
Taper threads	UNI - ISO 7 / 1 (BSPT)
Materials	Stainless steel AISI 316 TI

# Stainless Steel standard fittings

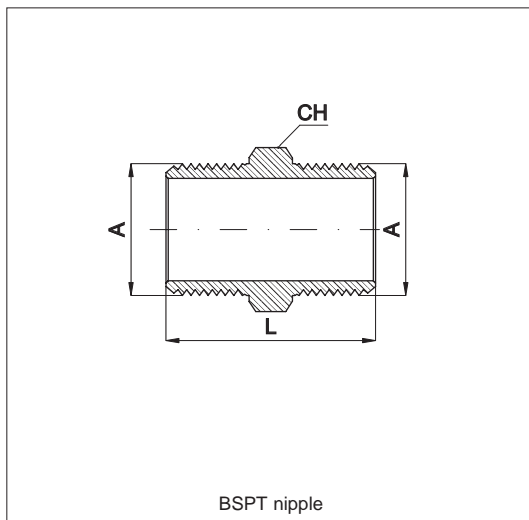
## Series AX, in AISI 316



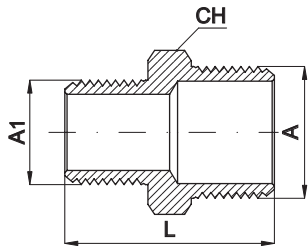
Code	Item	A	B	L	CH
026161	AX002 14 18	1/4"	1/8"	18	14
026163	AX002 38 18	3/8"	1/8"	20	17
026162	AX002 38 14	3/8"	1/4"	20	17
026165	AX002 12 38	1/2"	3/8"	23	22
026164	AX002 12 14	1/2"	1/4"	23	22
026166	AX002 34 38	3/4"	3/8"	27	27
026167	AX002 34 12	3/4"	1/2"	27	27
026168	AX002 01 12	1"	1/2"	30	36
026169	AX002 01 34	1"	3/4"	30	36
026170	AX002 41 34	1 1/4"	3/4"	31	42
026171	AX002 41 01	1 1/4"	1"	31	42
026172	AX002 21 01	1 1/2"	1"	33	50
026173	AX002 21 41	1 1/2"	1 1/4"	33	50
026174	AX002 02 41	2"	1 1/4"	37	60
026175	AX002 02 21	2"	1 1/2"	37	60
026176	AX002 22 21	2 1/2"	1 1/2"	43	77
026177	AX002 22 02	2 1/2"	2"	43	77
026178	AX002 03 02	3"	2"	48	90
026179	AX002 03 22	3"	2 1/2"	48	90



Code	Item	B	A	CH	L
026251	AX004 18 18	1/8"	1/8"	17	21
026252	AX004 14 18	1/4"	1/8"	19	24
026253	AX004 14 14	1/4"	1/4"	19	27
026254	AX004 38 18	3/8"	1/8"	24	25
026255	AX004 38 14	3/8"	1/4"	24	28
026256	AX004 38 38	3/8"	3/8"	24	31
026257	AX004 12 14	1/2"	1/4"	30	30
026258	AX004 12 38	1/2"	3/8"	30	33
026259	AX004 12 12	1/2"	1/2"	24	40
026260	AX004 34 14	3/4"	1/4"	36	31
026261	AX004 34 38	3/4"	3/8"	36	34
026262	AX004 34 12	3/4"	1/2"	36	35
026263	AX004 34 34	3/4"	3/4"	36	37
026264	AX004 01 38	1"	3/8"	41	37
026265	AX004 01 12	1"	1/2"	41	38
026266	AX004 01 34	1"	3/4"	41	40
026267	AX004 01 01	1"	1"	41	41
026268	AX004 41 34	1 1/4"	3/4"	50	40
026269	AX004 41 01	1 1/4"	1"	50	41
026270	AX004 41 41	1 1/4"	1 1/4"	50	44
026271	AX004 21 34	1 1/2"	3/4"	55	43
026272	AX004 21 01	1 1/2"	1"	55	44
026273	AX004 21 41	1 1/2"	1 1/4"	55	47
026274	AX004 21 41	1 1/2"	1 1/2"	55	53

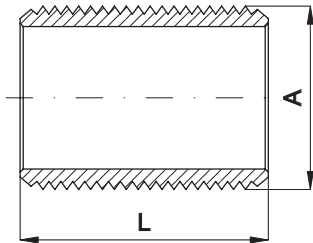


Code	Item	A	A	L	CH
026131	AX006 18 18	1/8"	1/8"	24	12
026132	AX006 14 14	1/4"	1/4"	29	14
026133	AX006 38 38	3/8"	3/8"	32	17
026134	AX006 12 12	1/2"	1/2"	38	22
026135	AX006 34 34	3/4"	3/4"	45	27
026136	AX006 01 01	1"	1"	47	36
026137	AX006 41 41	1 1/4"	1 1/4"	52	42
026138	AX006 21 21	1 1/2"	1 1/2"	55	50
026139	AX006 02 02	2"	2"	62	60
026140	AX006 22 22	2 1/2"	2 1/2"	71	77
026141	AX006 03 03	3"	3"	82	90



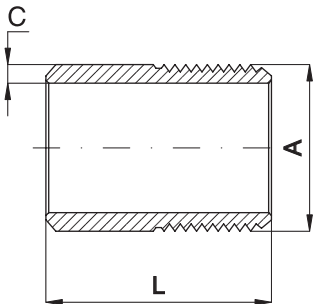
BSPT reducing nipple

Code	Item	A	A <sub>1</sub>	L	CH
026091	AX027 14 18	1/4"	1/8"	27	14
026092	AX027 38 14	3/8"	1/4"	31	17
026093	AX027 12 14	1/2"	1/4"	34	22
026094	AX027 12 38	1/2"	3/8"	35	22
026095	AX027 34 38	3/4"	3/8"	38	27
026096	AX027 34 12	3/4"	1/2"	42	27
026097	AX027 01 12	1"	1/2"	45	36
026098	AX027 01 34	1"	3/4"	48	36
026099	AX027 41 34	1 1/4"	3/4"	49	42
026100	AX027 41 01	1 1/4"	1"	51	42
026101	AX027 21 01	1 1/2"	1"	53	50
026102	AX027 21 41	1 1/2"	1 1/4"	54	50
026103	AX027 02 41	2"	1 1/4"	58	60
026104	AX027 02 21	2"	1 1/2"	59	60
026105	AX027 22 21	2 1/2"	1 1/2"	67	77
026106	AX027 22 02	2 1/2"	2"	70	77
026107	AX027 03 22	3"	2 1/2"	78	90



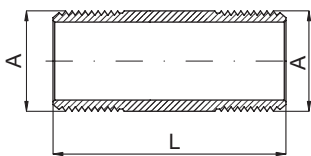
Threaded nipple

Code	Item	A	L
026001	AX028 18 18	1/8"	16
026002	AX028 14 14	1/4"	18
026003	AX028 38 38	3/8"	22
026004	AX028 12 12	1/2"	25
026005	AX028 34 34	3/4"	30
026006	AX028 01 01	1"	35
026007	AX028 41 41	1 1/4"	38
026008	AX028 21 21	1 1/2"	38
026009	AX028 02 02	2"	45
026010	AX028 22 22	2 1/2"	55
026011	AX028 03 03	3"	60



Solder fitting

Code	Item	A	L	C
026031	AX029 18 18	1/8"	20	2,24
026032	AX029 14 14	1/4"	22	2,24
026033	AX029 38 38	3/8"	25	2,31
026034	AX029 12 12	1/2"	28	2,90
026035	AX029 34 34	3/4"	35	2,90
026036	AX029 01 01	1"	35	3,38
026037	AX029 41 41	1 1/4"	45	3,56
026038	AX029 21 21	1 1/2"	45	3,68
026039	AX029 02 02	2"	50	3,91
026040	AX029 22 22	2 1/2"	55	6,30
026041	AX029 03 03	3"	65	4
026042	AX029 04 04	4"	75	4,5

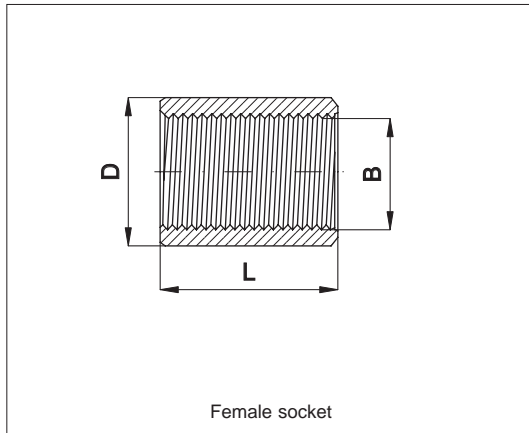


BSPT extended nipple

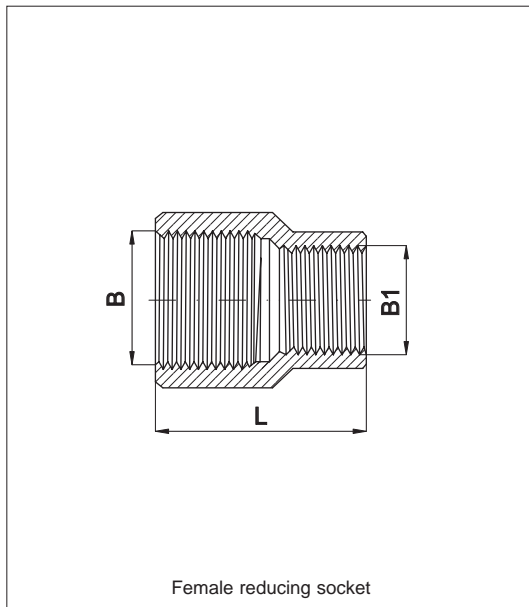
Code	Item	A	A	L
026061	AX030 18 18	1/8"	1/8"	30
026062	AX030 14 14	1/4"	1/4"	36
026063	AX030 38 38	3/8"	3/8"	42
026064	AX030 12 12	1/2"	1/2"	45
026065	AX030 34 34	3/4"	3/4"	53
026066	AX030 01 01	1"	1"	60
026067	AX030 41 41	1 1/4"	1 1/4"	66
026068	AX030 21 21	1 1/2"	1 1/2"	67
026069	AX030 02 02	2"	2"	75
026070	AX030 22 22	2 1/2"	2 1/2"	85
026071	AX030 03 03	3"	3"	90

# Stainless Steel standard fittings

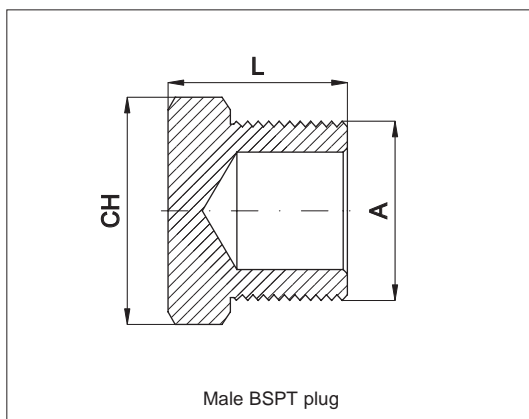
## Series AX, in AISI 316



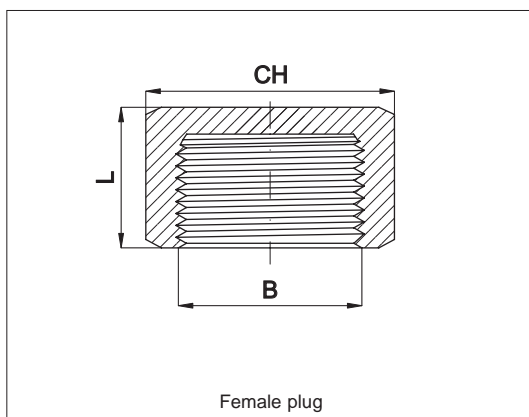
Code	Item	B	L	D
026511	AX007 18 18	1/8"	20	14
026512	AX007 14 14	1/4"	22	17,2
026513	AX007 38 38	3/8"	25	21,3
026514	AX007 12 12	1/2"	30	26,7
026515	AX007 34 34	3/4"	35	33,4
026516	AX007 01 01	1"	37	40
026517	AX007 41 41	1 1/4"	42	48,3
026518	AX007 21 21	1 1/2"	42	57
026519	AX007 02 02	2"	46	71
026520	AX007 22 22	2 1/2"	65	90
026521	AX007 03 03	3"	70	100
026522	AX007 04 04	4"	70	120



Code	Item	B	B <sub>1</sub>	L
026541	AX031 14 18	1/4"	1/8"	27
026542	AX031 38 14	3/8"	1/4"	30
026543	AX031 12 14	1/2"	1/4"	36
026544	AX031 12 38	1/2"	3/8"	36
026545	AX031 34 38	3/4"	3/8"	39
026546	AX031 34 12	3/4"	1/2"	39
026547	AX031 01 12	1"	1/2"	45
026548	AX031 01 34	1"	3/4"	45
026549	AX031 41 34	1 1/4"	3/4"	50
026550	AX031 41 01	1 1/4"	1"	50
026551	AX031 21 01	1 1/2"	1"	55
026552	AX031 21 41	1 1/2"	1 1/4"	55
026553	AX031 02 41	2"	1 1/4"	65
026554	AX031 02 21	2"	1 1/2"	65
026555	AX031 22 21	2 1/2"	1 1/2"	74
026556	AX031 22 02	2 1/2"	2"	74
026557	AX031 03 02	3"	2"	80
026558	AX031 03 22	3"	2 1/2"	80



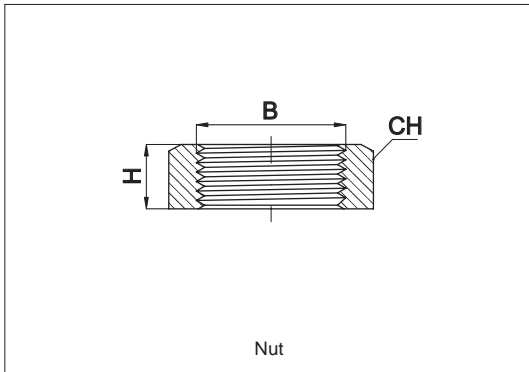
Code	Item	A	L	CH
026191	AX016 18 18	1/8"	15	12
026192	AX016 14 14	1/4"	17	14
026193	AX016 38 38	3/8"	18	17
026194	AX016 12 12	1/2"	20	22
026195	AX016 34 34	3/4"	25	27
026196	AX016 01 01	1"	28	36
026197	AX016 41 41	1 1/4"	31	42
026198	AX016 21 21	1 1/2"	33	50
026199	AX016 02 02	2"	38	60
026200	AX016 22 22	2 1/2"	43	77
026201	AX016 03 03	3"	48	90



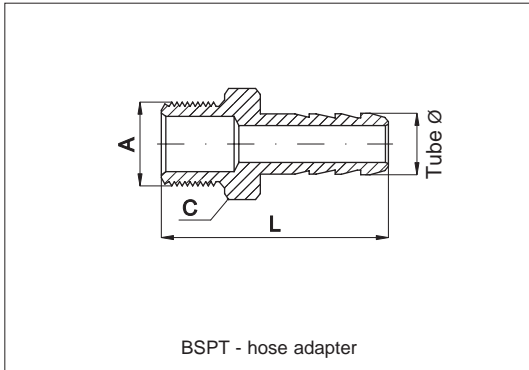
Code	Item	B	L	CH
026671	AX010 18 18	1/8"	13	17
026672	AX010 14 14	1/4"	15	19
026673	AX010 38 38	3/8"	16	24
026674	AX010 12 12	1/2"	18	30
026675	AX010 34 34	3/4"	21	36
026676	AX010 01 01	1"	24	41
026677	AX010 41 41	1 1/4"	24	50
026678	AX010 21 21	1 1/2"	24	55
026679	AX010 02 02	2"	26	68
026680	AX010 22 22	2 1/2"	30	84
026681	AX010 03 03	3"	30	98

# Stainless Steel standard fittings

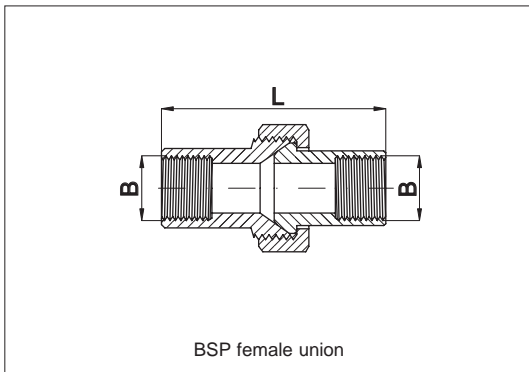
## Series AX, in AISI 316



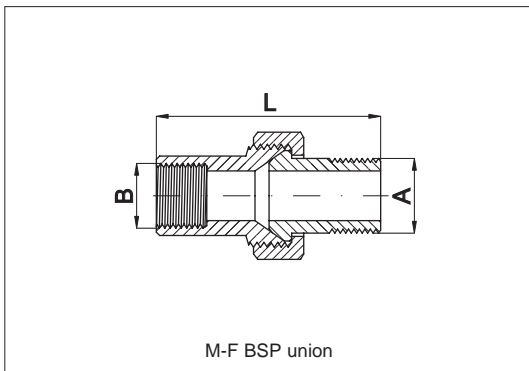
Code	Item	B	H	CH
026641	AX013 18 18	1/8"	6	19
026642	AX013 14 14	1/4"	6	22
026643	AX013 38 38	3/8"	7	27
026644	AX013 12 12	1/2"	8	32
026645	AX013 34 34	3/4"	9	36
026646	AX013 01 01	1"	10	46
026647	AX013 41 41	1 1/4"	11	55
026648	AX013 21 21	1 1/2"	12	60
026649	AX013 02 02	2"	13	75
026650	AX013 22 22	2 1/2"	16	95
026651	AX013 03 03	3"	19	105



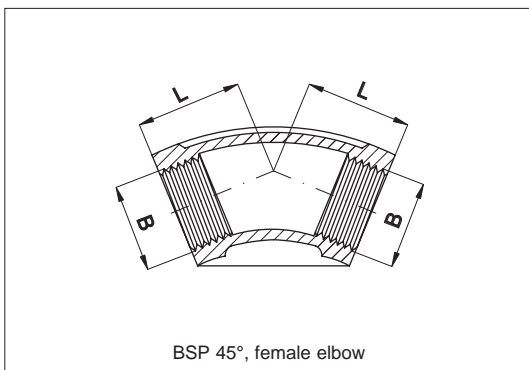
Code	Item	Tube Ø	A	L	CH
026711	AX015 07 18	7	1/8"	30	13
026712	AX015 09 14	8	1/4"	44	15
026713	AX015 11 38	10	3/8"	50	19
026714	AX015 15 12	14,5	1/2"	52	24
026715	AX015 21 34	20	3/4"	60	28
026716	AX015 27 01	25	1"	70	35
026717	AX015 34 41	32	1 1/4"	70	45
026718	AX015 40 21	40	1 1/2"	80	50
026719	AX015 52 02	52	2"	88	62



Code	Item	B	B	L
026741	AX032 18 18	1/8"	1/8"	30
026742	AX032 14 14	1/4"	1/4"	34
026743	AX032 38 38	3/8"	3/8"	38
026744	AX032 12 12	1/2"	1/2"	41
026745	AX032 34 34	3/4"	3/4"	48
026746	AX032 01 01	1"	1"	52
026747	AX032 41 41	1 1/4"	1 1/4"	54
026748	AX032 21 21	1 1/2"	1 1/2"	59
026749	AX032 02 02	2"	2"	67
026750	AX032 22 22	2 1/2"	2 1/2"	78
026751	AX032 03 03	3"	3"	94



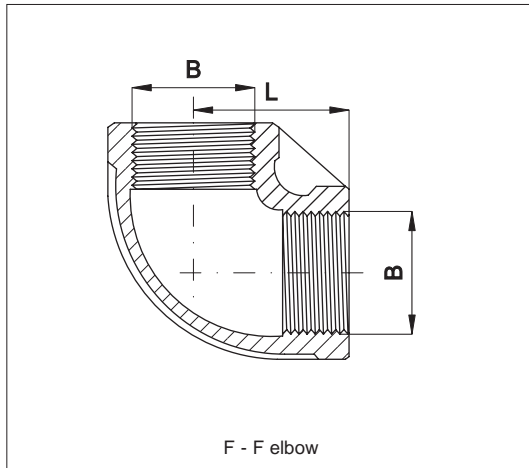
Code	Item	A	B	L
026801	AX033 18 18	1/8"	1/8"	42
026802	AX033 14 14	1/4"	1/4"	42
026803	AX033 38 38	3/8"	3/8"	49
026804	AX033 12 12	1/2"	1/2"	56
026805	AX033 34 34	3/4"	3/4"	63
026806	AX033 01 01	1"	1"	69
026807	AX033 41 41	1 1/4"	1 1/4"	74
026808	AX033 21 21	1 1/2"	1 1/2"	84
026809	AX033 02 02	2"	2"	102



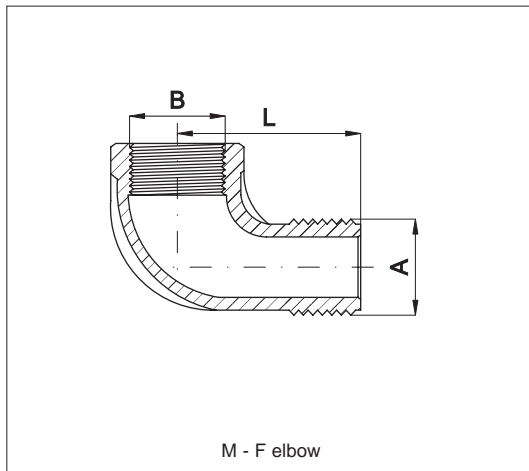
Code	Item	B	B	L
026311	AX034 18 18	1/8"	1/8"	17
026312	AX034 14 14	1/4"	1/4"	19
026313	AX034 38 38	3/8"	3/8"	20
026314	AX034 12 12	1/2"	1/2"	22
026315	AX034 34 34	3/4"	3/4"	25
026316	AX034 01 01	1"	1"	28
026317	AX034 41 41	1 1/4"	1 1/4"	33
026318	AX034 21 21	1 1/2"	1 1/2"	36
026319	AX034 02 02	2"	2"	43
026320	AX034 22 22	2 1/2"	2 1/2"	50
026321	AX034 03 03	3"	3"	56

# Stainless Steel standard fittings

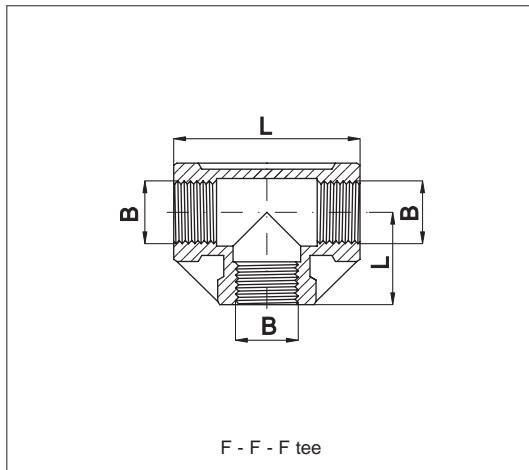
## Series AX, in AISI 316



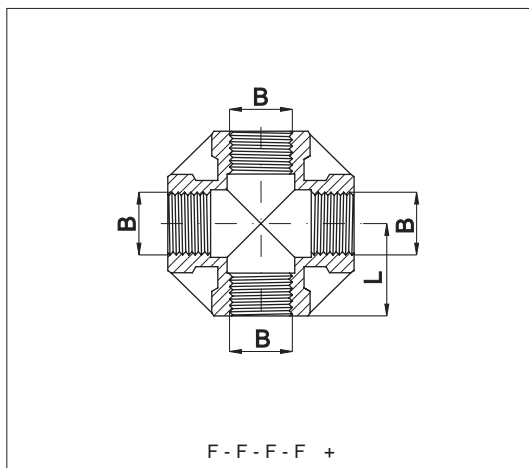
Code	Item	B	B	L
026291	AX021 18 18	1/8"	1/8"	19
026292	AX021 14 14	1/4"	1/4"	21
026293	AX021 38 38	3/8"	3/8"	25
026294	AX021 12 12	1/2"	1/2"	28
026295	AX021 34 34	3/4"	3/4"	33
026296	AX021 01 01	1"	1"	38
026297	AX021 41 41	1 1/4"	1 1/4"	45
026298	AX021 21 21	1 1/2"	1 1/2"	50
026299	AX021 02 02	2"	2"	58
026300	AX021 22 22	2 1/2"	2 1/2"	75
026301	AX021 03 03	3"	3"	85



Code	Item	A	B	L
026391	AX022 18 18	1/8"	1/8"	20
026392	AX022 14 14	1/4"	1/4"	20
026393	AX022 38 38	3/8"	3/8"	24
026394	AX022 12 12	1/2"	1/2"	28
026395	AX022 34 34	3/4"	3/4"	33
026396	AX022 01 01	1"	1"	38
026397	AX022 41 41	1 1/4"	1 1/4"	-
026398	AX022 21 21	1 1/2"	1 1/2"	-
026399	AX022 02 02	2"	2"	-
026400	AX022 22 22	2 1/2"	2 1/2"	-
026401	AX022 03 03	3"	3"	-



Code	Item	B	B	B	L
026421	AX023 18 18	1/8"	1/8"	1/8"	19
026422	AX023 14 14	1/4"	1/4"	1/4"	21
026423	AX023 38 38	3/8"	3/8"	3/8"	25
026424	AX023 12 12	1/2"	1/2"	1/2"	28
026425	AX023 34 34	3/4"	3/4"	3/4"	33
026426	AX023 01 01	1"	1"	1"	38
026427	AX023 41 41	1 1/4"	1 1/4"	1 1/4"	45
026428	AX023 21 21	1 1/2"	1 1/2"	1 1/2"	50
026429	AX023 02 02	2"	2"	2"	58
026430	AX023 22 22	2 1/2"	2 1/2"	2 1/2"	75
026431	AX023 03 03	3"	3"	3"	85



Code	Item	B	B	B	B	L
026481	AX026 18 18	1/8"	1/8"	1/8"	1/8"	20
026482	AX026 14 14	1/4"	1/4"	1/4"	1/4"	24
026483	AX026 38 38	3/8"	3/8"	3/8"	3/8"	24
026484	AX026 12 12	1/2"	1/2"	1/2"	1/2"	28
026485	AX026 34 34	3/4"	3/4"	3/4"	3/4"	33
026486	AX026 01 01	1"	1"	1"	1"	38
026487	AX026 41 41	1 1/4"	1 1/4"	1 1/4"	1 1/4"	45
026488	AX026 21 21	1 1/2"	1 1/2"	1 1/2"	1 1/2"	49
026489	AX026 02 02	2"	2"	2"	2"	57