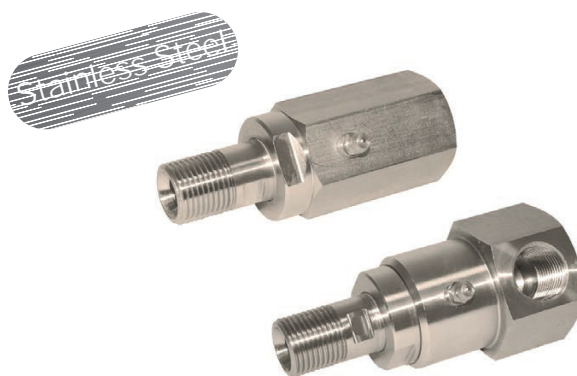


Stainless Steel swivel joints, in line and 90°

Series GGLX - GGAX, from DN 6 to DN 50



Version	Code	Item
In-line 1/4" MF, DN 6	570858	GGLX014
In-line 3/8" MF, DN 9	570859	GGLX038
In-line 1/2" MF, DN 13	570860	GGLX012
In-line 3/4" MF, DN 19	570861	GGLX034
In-line 1" MF, DN 25	570862	GGLX100
In-line 1 1/4" MF, DN 30	570863	GGLX114
In-line 1 1/2" MF, DN 40	570864	GGLX112
In-line 2" MF, DN 50	570865	GGLX200
90° 1/4" MF, DN 6	570866	GGAX014
90° 3/8" MF, DN 9	570867	GGAX038
90° 1/2" MF, DN 13	570868	GGAX012
90° 3/4" MF, DN 19	570869	GGAX034
90° 1" MF, DN 25	570870	GGAX100
90° 1 1/4" MF, DN 30	570871	GGAX114
90° 1 1/2" MF, DN 40	570872	GGAX112
90° 2" MF, DN 50	570873	GGAX200

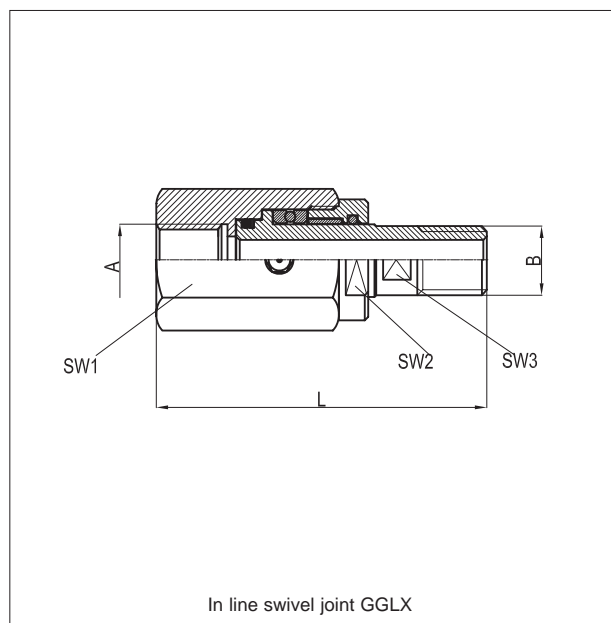


Series of stainless steel swivel joints in line and 90°. They are used to connect two rotating elements, avoiding twists. For standard items, codes and dimensions see tables from page 5.175.2.

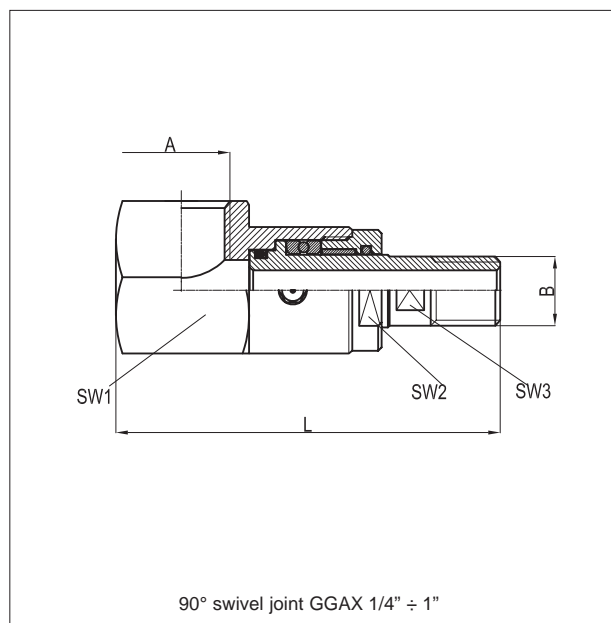
Technical data					
Fluid	Compressed air, gas, acids, fluids				
Pressure	GGLX: 1/4"- 3/8" = 300 bar	1/2" = 300 bar	3/4"-1" = 250 bar	1 1/4" = 180 bar	1 1/2"-2" = 150 bar
	GGAX: 1/4" = 350 bar	3/8-1/2" = 300 bar	3/4"-1" = 250 bar	1 1/4" = 180 bar	1 1/2"-2" = 150 bar
Temperature range	-20 °C ÷ +150 °C				
Parallel threads	UNI - ISO 228				
Max speed of rotation	10 turns / minute				
Materials	Coupler body and internal parts, all in stainless steel AISI 316 Seal: FKM				

Stainless Steel swivel joints, in line and 90°

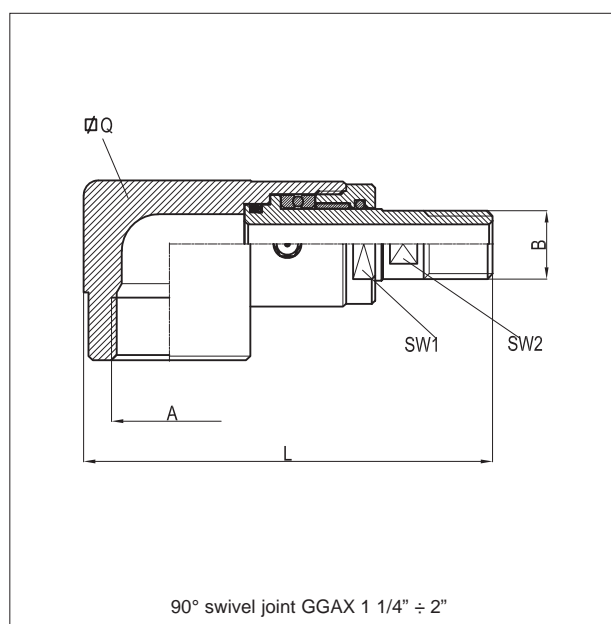
Series GGLX - GGAX, from DN 6 to DN 50



Code	Item	A	B	L	SW ₁	SW ₂	SW ₃
570858	GGLX014	1/4"	1/4"	75	27	24	11
570859	GGLX038	3/8"	3/8"	88	34	30	14
570860	GGLX012	1/2"	1/2"	101	36	32	18
570861	GGLX034	3/4"	3/4"	110	46	40	24
570862	GGLX100	1"	1"	124	55	50	30
570863	GGLX114	1 1/4"	1 1/4"	129	60	55	38
570864	GGLX112	1 1/2"	1 1/2"	138	75	69	41
570865	GGLX200	2"	2"	149	85	80	55



Code	Item	A	B	L	SW ₁	SW ₂	SW ₃
570866	GGAX014	1/4"	1/4"	78	32	21	11
570867	GGAX038	3/8"	3/8"	98	36	27	14
570868	GGAX012	1/2"	1/2"	106	46	32	18
570869	GGAX034	3/4"	3/4"	118	50	37	24
570870	GGAX100	1"	1"	142	60	46	30



Code	Item	A	B	L	Q	SW ₁	SW ₂
570871	GGAX114	1 1/4"	1 1/4"	155	60	55	38
570872	GGAX112	1 1/2"	1 1/2"	170	75	70	41
570873	GGAX200	2"	2"	190	85	80	55