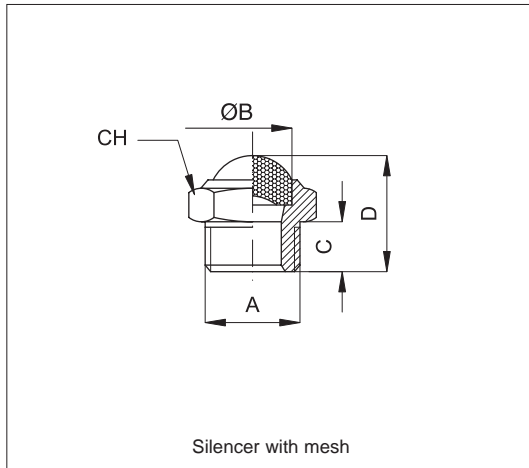


Standard executions		
Version	Symbol	Type
Silencer with mesh		AFEX
Conical silencer with hexagonal nut		AEX
Silencer, flat and hexagon nut on nipple		AEPX
Silenced exhaust restrictor with manual adjustment		AVRX

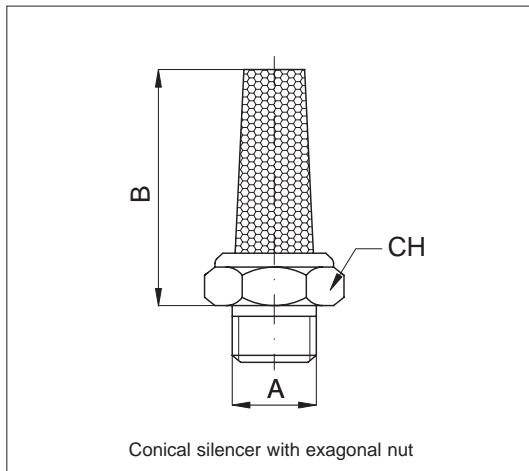


Series of stainless steel silencers and silenced exhaust restrictors to be used on the exhausts of valves to reduce the noise. The silenced exhaust restrictors, furthermore, adjust the exhaust speed and therefore the translation velocity of the cylinders. For standard items, codes and dimensions see tables from page 5.190.2.

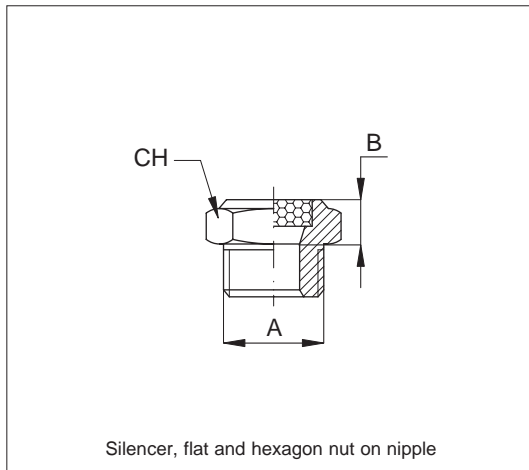
Technical data				
Fluid	Compressed air			
Pressure range	0 ÷ 10 bar			
Temperature range	-40 °C ÷ + 150°C			
Parallel threads	UNI - ISO 228			
Materials	AFEX	AEX	AEPX	AVRX
	Stainless Steel AISI 304		Stainless Steel AISI 316	



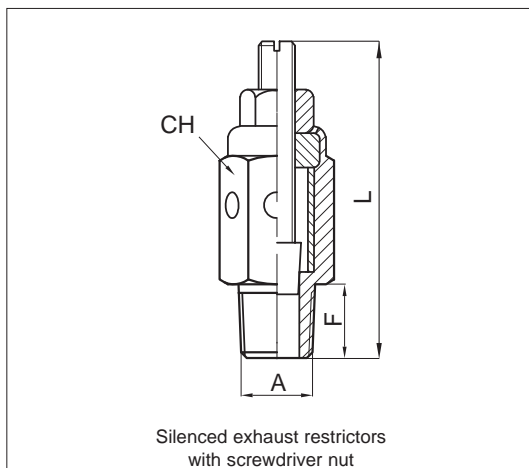
Code	Item	A	B	CH	C	D
010327	AFEXM5	5MA	6,5	8	4	8
010321	AFEX18	1/8"	11	13	6	15
010322	AFEX14	1/4"	14	16	8	18
010345	AFEX38	3/8"	17	19	9	19
010346	AFEX12	1/2"	22	24	10	22
010330	AFEX34	3/4"	28	30	10	27
010329	AFEX01	1"	34	36	15	29



Code	Item	A	B	C
010358	AEXM5	M5	16	9
010351	AEX18	1/8"	22	12
010352	AEX14	1/4"	24	15
011033	AEX38	3/8"	30	19
010353	AEX12	1/2"	38.5	23
010354	AEX34	3/4"	47	30
010355	AEX01	1"	56	36



Code	Item	A	B	CH
010360	AEPXM5	M5	4.5	8
010361	AEPX18	1/8"	6.2	12
010362	AEPX14	1/4"	6.2	15
010363	AEPX38	3/8"	6.7	19
010364	AEPX12	1/2"	9.2	23
010365	AEPX34	3/4"	9.7	30
010366	AEPX01	1"	10.7	36



Code	Item	A	F	CH	L	
					min	max
023518	AVRX18	1/8"	6,50	13	31	38
023519	AVRX14	1/4"	9,00	14	37	48
023520	AVRX38	3/8"	10,50	17	38	51
023527	AVRX12	1/2"	10,50	22	43	54
023528	AVRX34	3/4"	12,00	27	48	60
023529	AVRX01	1"	15,50	34	53	69