

Standard executions		
Version	Symbol	Type
Double acting, magnetic self lubricating bushings		GSB
Double acting, magnetic spherical bushings		GSS



Series of twin-rod cylinders magnetic as standard. This cylinder is of two-axle mode with double thrust force and smooth and precise operation. A one piece body is provided with grooves allowing the mounting of the magnetic reed switch without further brackets; this makes the magnetic sensor not protrude outside the body itself. The bottom plates are provided with elastic cushionings.

For the magnetic reed switches type ASV see from page 1.110.1.

Options	Suffix
Special on request	/ S

How to order: 20/30 GSB

20	/	30	GSB	
Bore	/	Stroke	Type	Option

Technical data						
Fluid	Compressed filtered air with or without lubrication. Lubrication, if started, must be continued.					
Bore	Ø 6	Ø 10	Ø 16	Ø 20	Ø 25	Ø 32
Pressure range	1.5 ÷ 7 bar		1 ÷ 7 bar		0.5 ÷ 7 bar	
Speed range	30÷300 mm/sec.			30÷500 mm/sec.		
Adjustable stroke	0 ÷ -5 mm					
Temperature range	- 10 °C ÷ + 60°C					

Bore (mm)	Standard stroke GSB	Standard stroke GSS
6	10, 20, 30, 40, 50	10, 20, 30, 40, 50
10	10, 15, 20, 25, 30, 35, 40, 45, 50	10, 15, 20, 25, 30, 35, 40, 45, 50
16	10, 15, 20, 25, 30, 35, 40, 45, 50, 60, 70, 75, 80, 90, 100, 125, 150	10, 15, 20, 25, 30, 35, 40, 45, 50, 60, 70, 75, 80, 90, 100, 125, 150
20	10, 15, 20, 25, 30, 35, 40, 45, 50, 60, 70, 75, 80, 90, 100, 125, 150	10, 15, 20, 25, 30, 35, 40, 45, 50, 60, 70, 75, 80, 90, 100, 125, 150
25	10, 15, 20, 25, 30, 35, 40, 45, 50, 60, 70, 75, 80, 90, 100, 125, 150	10, 15, 20, 25, 30, 35, 40, 45, 50, 60, 70, 75, 80, 90, 100, 125, 150
32	10, 15, 20, 25, 30, 35, 40, 45, 50, 60, 70, 75, 80, 90, 100, 125, 150	10, 15, 20, 25, 30, 35, 40, 45, 50, 60, 70, 75, 80, 90, 100, 125, 150

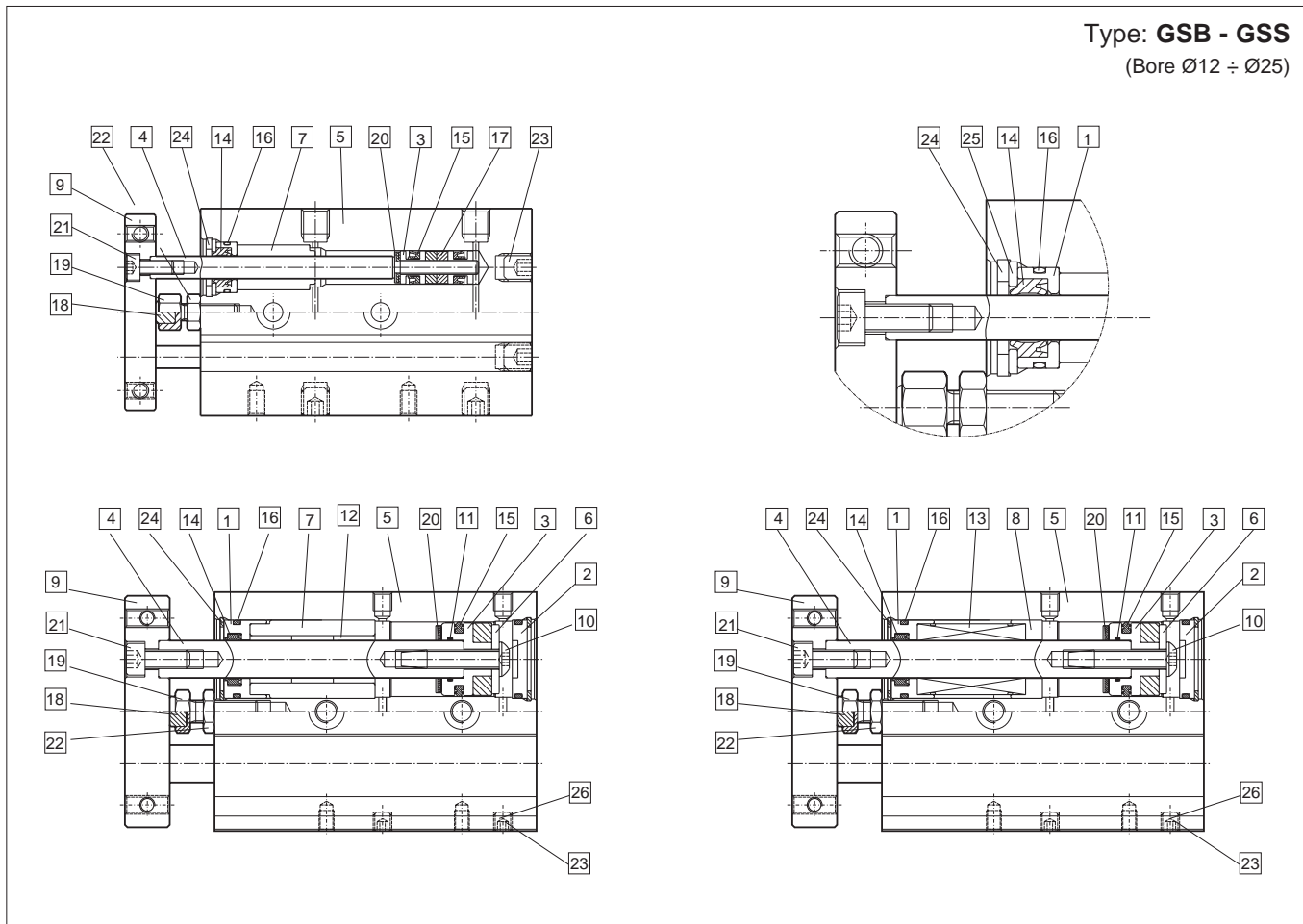
Twin rod compact guided cylinders

Bores from 6 to 32 mm

Materials



Type: **GSB - GSS**
(Bore $\varnothing 12 \div \varnothing 25$)



Materials					
1	Rod cover	Hard anodised aluminium alloy	14	Rod packing	PU
2	Head cover	Hard anodised aluminium alloy	15	Piston packing	Nitrile rubber NBR
3	Piston	Brass ($\varnothing 6$) - Aluminium alloy ($\varnothing 10 \div \varnothing 32$)	16	Cylinder gasket	Nitrile rubber NBR
4	Piston rod	Stainless steel (GSB $\varnothing 6 \div \varnothing 10$) Carbon steel (GSB $\varnothing 16 \div \varnothing 32$) Special steel (GSS)	17	Magnet	Magnetic material
5	Cylinder tube	Hard anodised aluminium alloy	18	Rubber pillar	Nitrile rubber NBR
6	Magnet holder	Stainless steel	19	Adjusting screw	Stainless steel
7	Bearing holder	Brass ($\varnothing 6$) - Aluminium alloy ($\varnothing 10 \div \varnothing 32$)	20	Rubber lining	Nitrile rubber NBR
8	Bearing holder	Aluminium alloy ($\varnothing 10 \div \varnothing 32$)	21	Screw	Carbon steel nickel plating
9	Guide plate	Hard anodised aluminium alloy	22	Lock nut	Carbon steel nickel plating
10	Nut	Carbon steel nickel plating	23	Set screw	Carbon steel
11	O-ring	Nitrile rubber NBR	24	Retaining ring	Carbon steel nickel plating
12	Oilless bearing	Oil-impregnated sintered alloy	25	Steel pad	Stainless steel
13	Linear bearing	Special steel	26	Port gasket	Nitrile rubber NBR

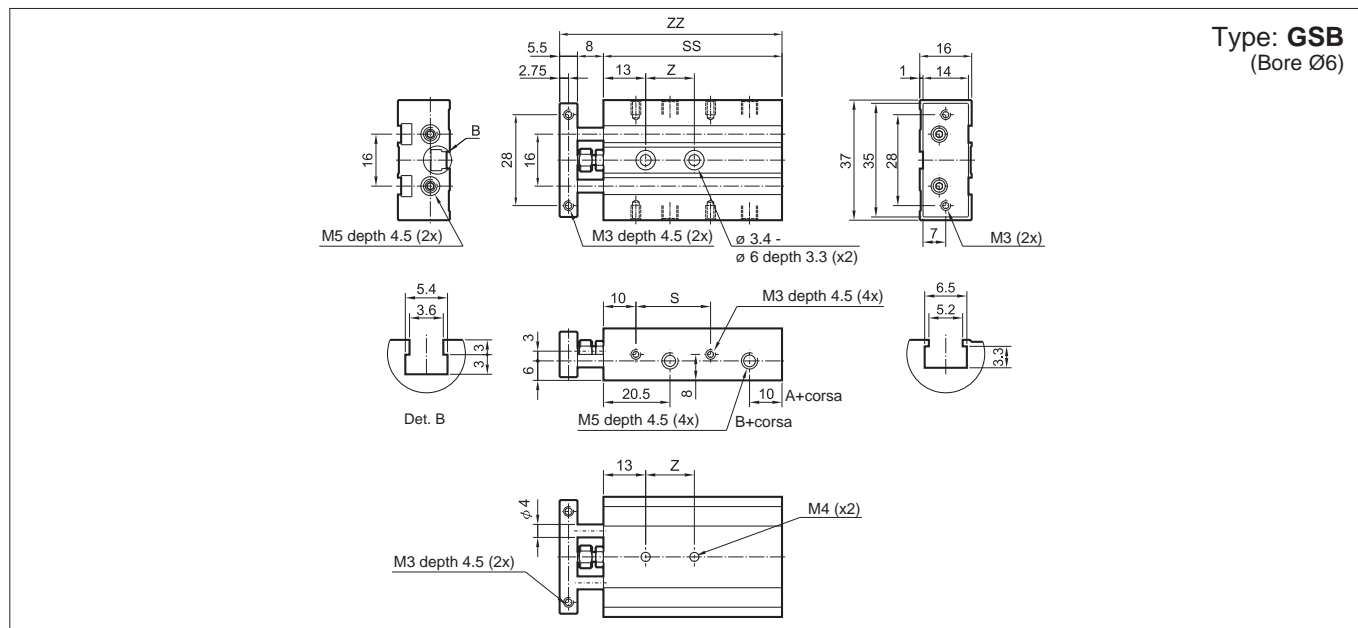
Twin rod compact guided cylinders

Bores from 6 to 32 mm

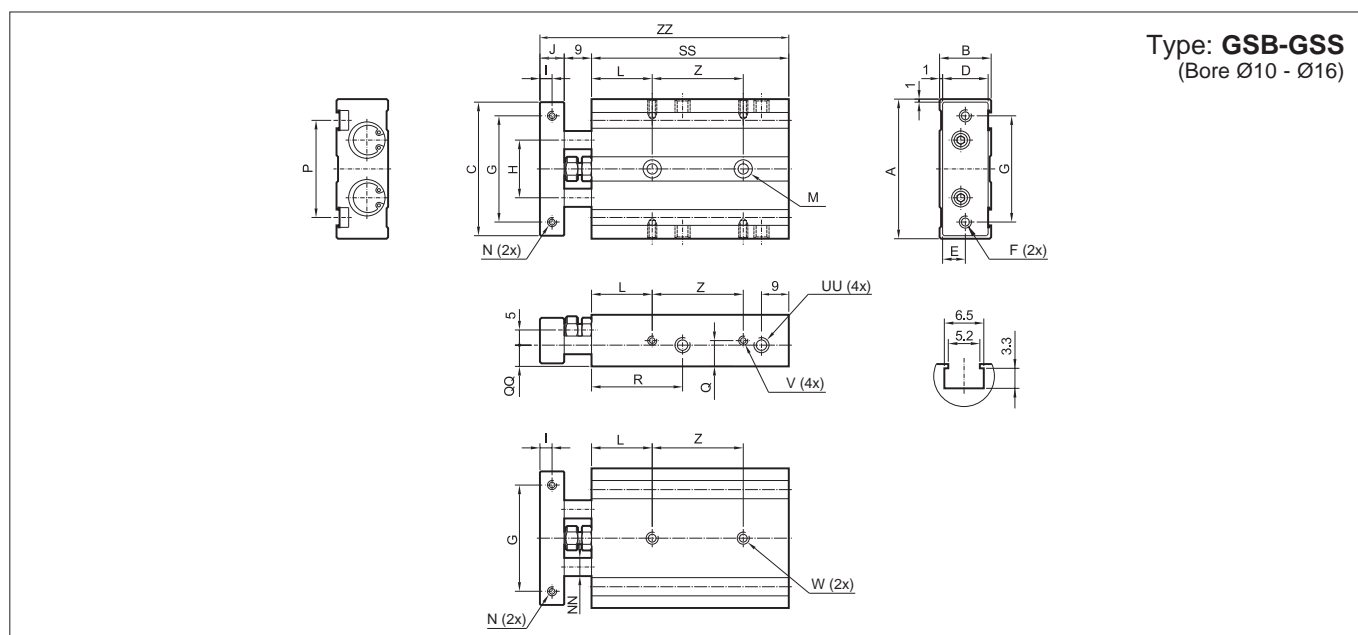
Standard dimensions



1



Ø mm	Stroke = 10				Stroke = 20				Stroke = 30				Stroke = 40				Stroke = 50			
	S	Z	SS	ZZ	S	Z	SS	ZZ	S	Z	SS	ZZ	S	Z	SS	ZZ	S	Z	SS	ZZ
6	23	15	55	68,5	33	20	65	78,5	43	25	75	88,5	53	30	85	98,5	63	35	95	108,5



Ø mm	A	B	C	D	E	F	G	H	I	J	L	M	N	NN	P	Q	QQ	R	W	V
10	46	17	44	15	7.5	M4	35	19	4	8	20	Ø 3.4 - Ø 6 depth 3.3	M3 depth 5	Ø 6	32	8.5	7	30	M4 depth 8	M3 depth 4.5
16	58	20	56	18	9	M5	45	24	5	10	30	Ø 4.3 - Ø 8 depth 4.4	M4 depth 6	Ø 8	47	10	10	36	M5 depth 9	M4 depth 5

Ø mm	UU	Stroke = 10			Stroke = 15			Stroke = 20			Stroke = 25			Stroke = 30			Stroke = 35			Stroke = 40			Stroke = 45			Stroke = 50		
		SS	Z	ZZ	SS	Z	ZZ	SS	Z	ZZ	SS	Z	ZZ	SS	Z	ZZ	SS	Z	ZZ	SS	Z	ZZ	SS	Z	ZZ	SS	Z	ZZ
10	M5 depth 4.5	65	30	82	70	30	87	75	30	92	80	30	97	85	40	102	90	40	107	95	40	112	100	40	117	105	40	122
16	M5 depth 5.5	70	25	89	75	25	94	80	25	99	85	25	104	90	35	109	95	35	114	100	35	119	105	35	124	110	35	129

Ø mm	Stroke = 60			Stroke = 70			Stroke = 75			Stroke = 80			Stroke = 90			Stroke = 100			Stroke = 125			Stroke = 150		
	SS	Z	ZZ	SS	Z	ZZ	SS	Z	ZZ	SS	Z	ZZ	SS	Z	ZZ	SS	Z	ZZ	SS	Z	ZZ	SS	Z	ZZ
10	-	-	-	-	-	-	-	-	-	-	-	-	-	-	-	-	-	-	-	-	-	-	-	-
16	120	45	139	130	45	149	135	45	154	140	45	159	150	55	169	160	55	179	185	80	204	210	80	229

